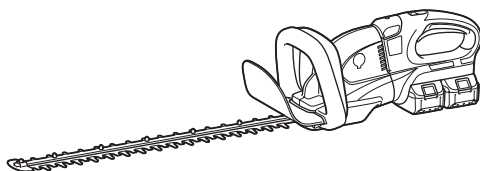




EN	Cordless Hedge Trimmer	INSTRUCTION MANUAL	7
SV	Batteridrivnen häcktrimmer	BRUKSANVISNING	13
NO	Trådløs hekktrimmer	BRUKSANVISNING	19
FI	Akkukäyttöinen pensasleikkuri	KÄYTTÖOHJE	25
LV	Bezvadu dzīvžoga griezējs	LIETOŠANAS INSTRUKCIJA	31
LT	Akumuliatorinės gyvatvorių žirklys	NAUDOJIMO INSTRUKCIJA	37
ET	Juhtmeta hekitrimmer	KASUTUSJUHEND	43
RU	Аккумуляторный Кусторез	РУКОВОДСТВО ПО ЭКСПЛУАТАЦИИ	49

DUH551
DUH651



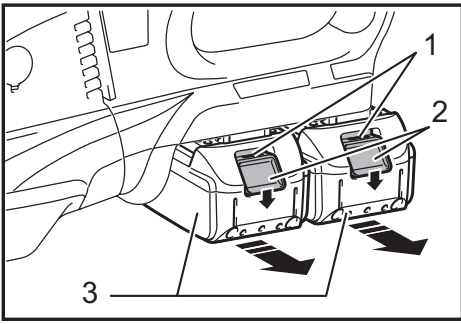


Fig.1

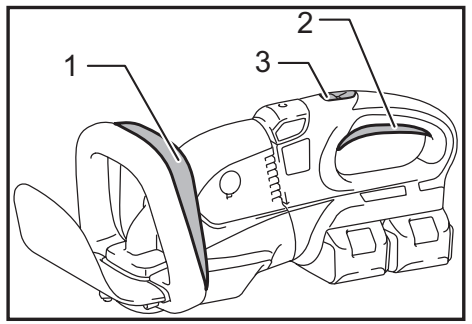


Fig.5

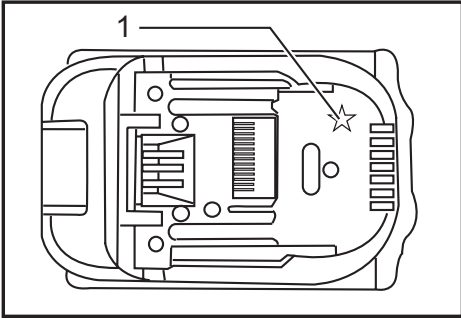


Fig.2

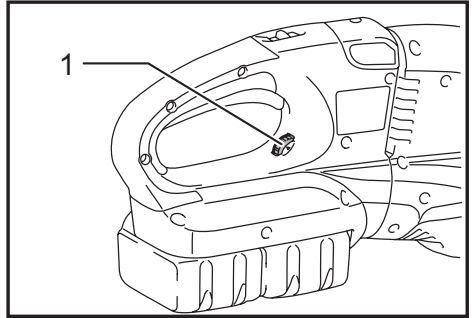


Fig.6

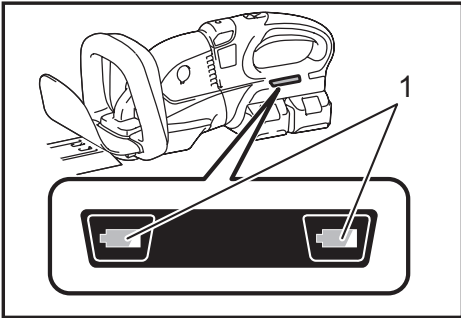


Fig.3

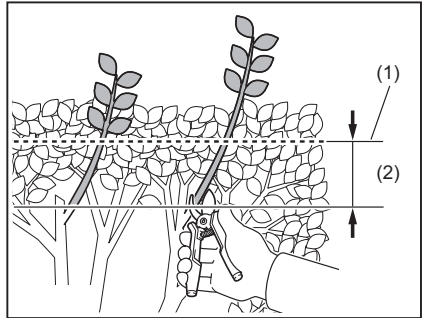


Fig.7

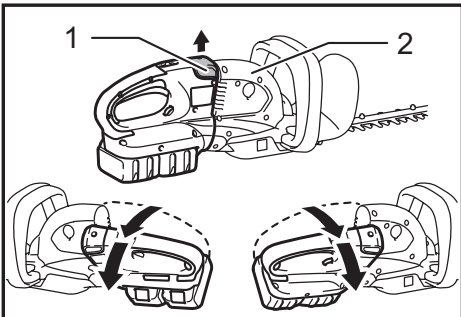


Fig.4

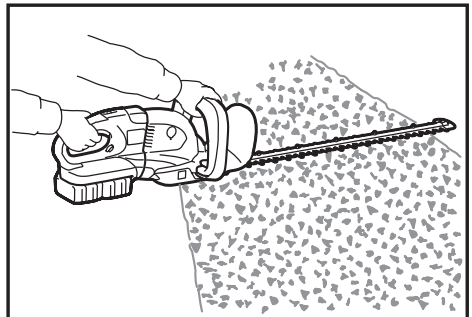


Fig.8

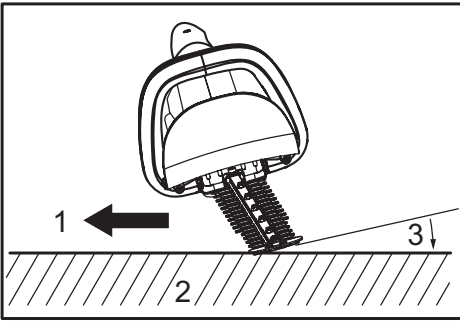


Fig.9

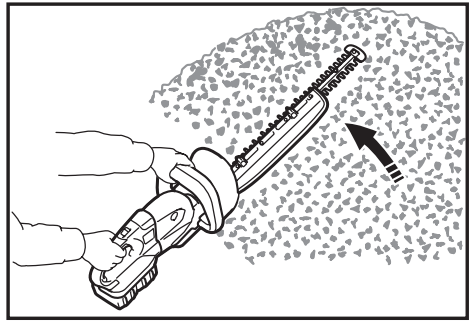


Fig.13

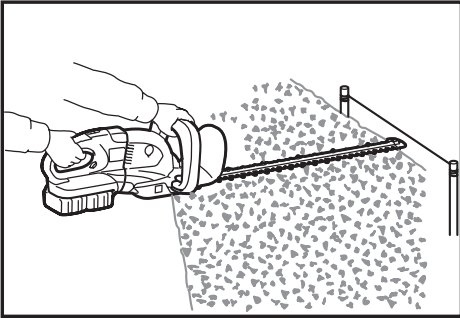


Fig.10

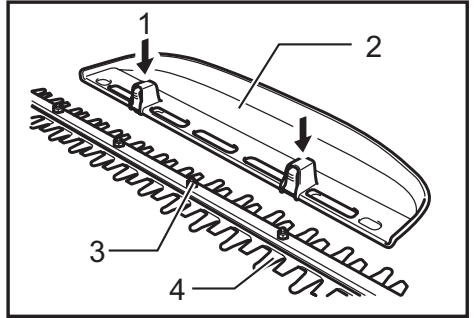


Fig.14

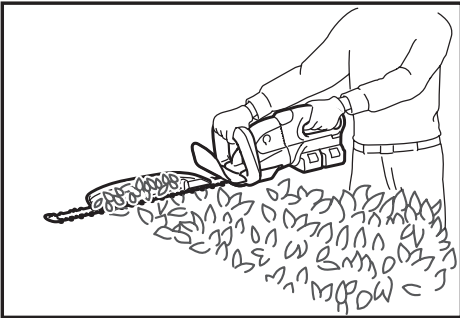


Fig.11

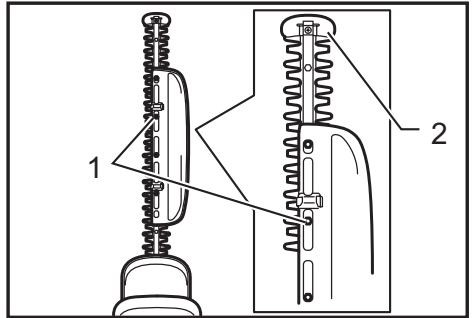


Fig.15

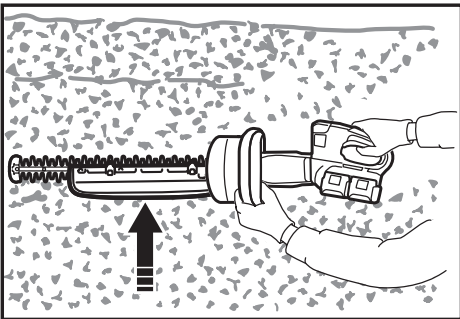


Fig.12

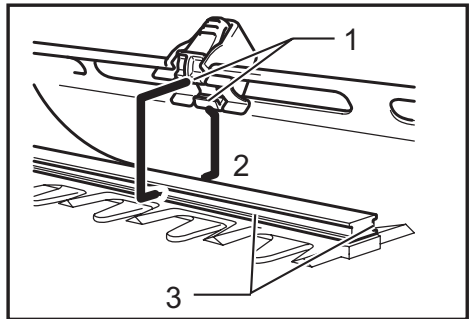


Fig.16

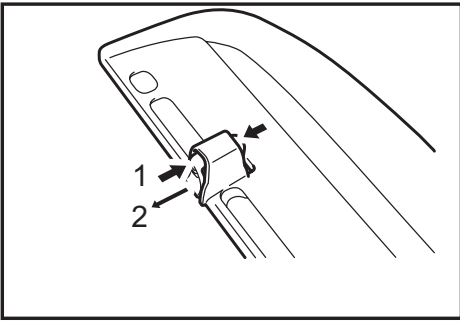


Fig.17

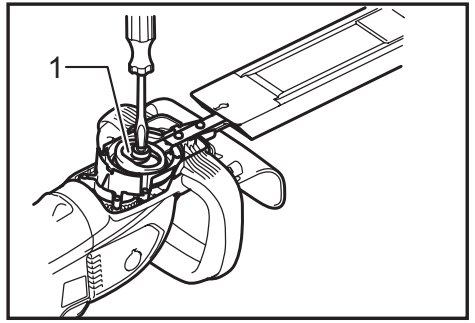


Fig.21

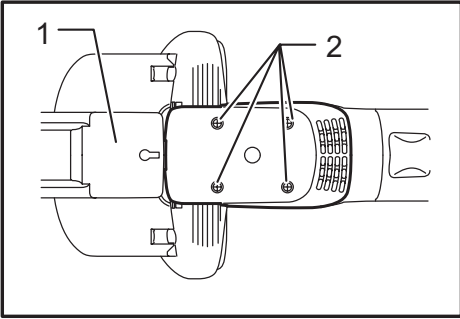


Fig.18

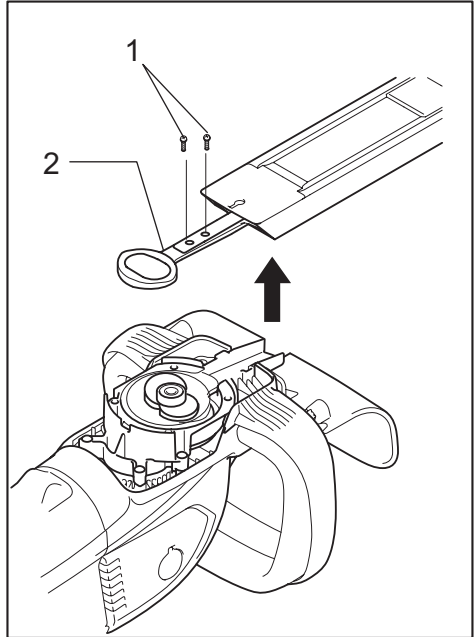


Fig.22

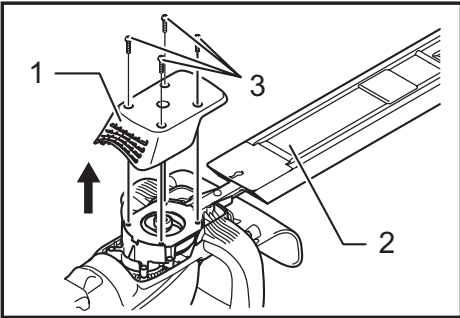


Fig.19

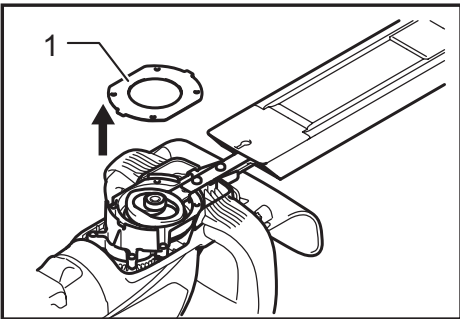


Fig.20

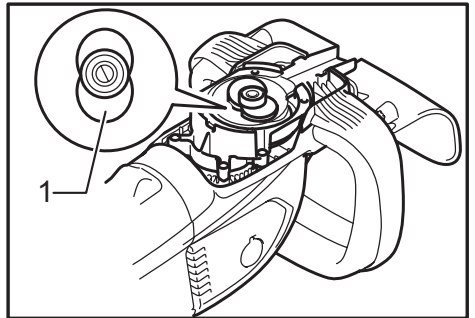


Fig.23

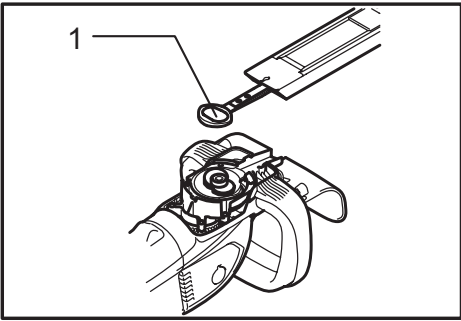


Fig.24

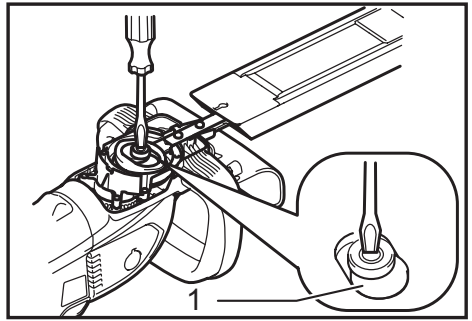


Fig.27

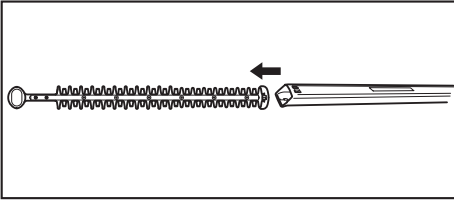


Fig.25

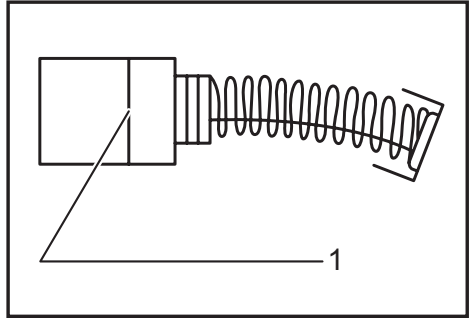


Fig.28

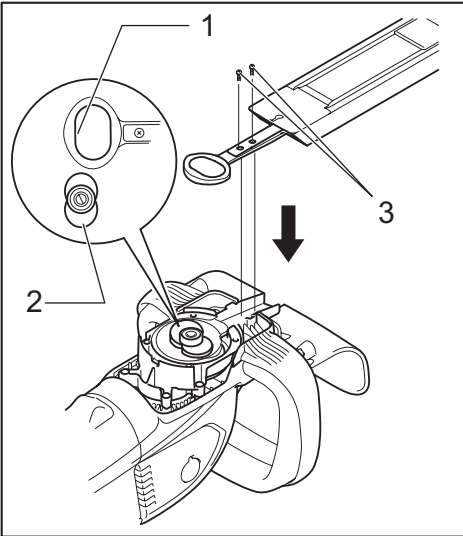


Fig.26

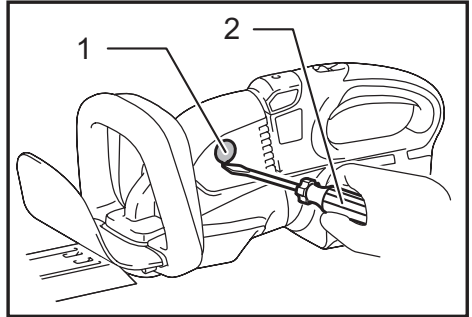


Fig.29

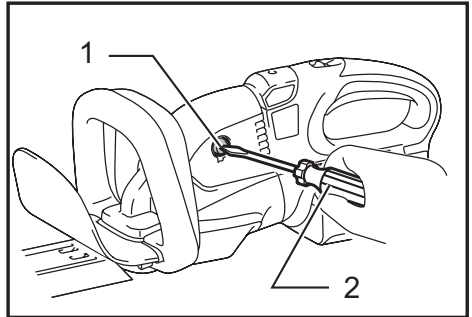


Fig.30

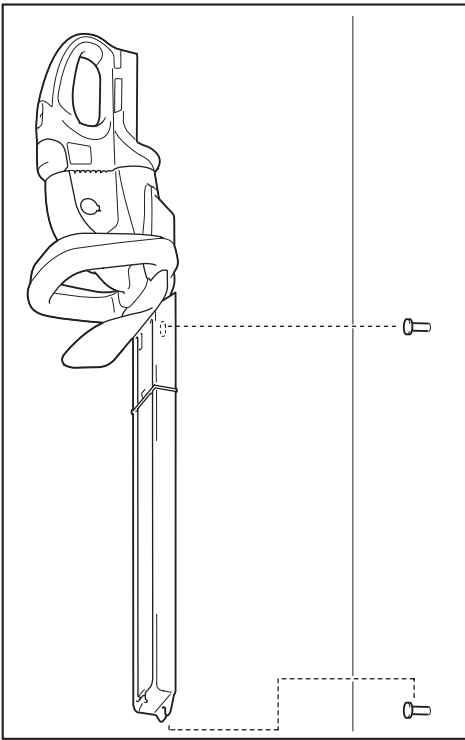


Fig.31

SPECIFICATIONS

Model	DUH551	DUH651
Blade length	550mm	650 mm
Strokes per minute (min ⁻¹)	1,000 - 1,800	
Overall length	1,065 mm	1,135 mm
Rated voltage	D.C. 36 V	
Net weight	5.1 kg	5.2 kg

- Due to our continuing program of research and development, the specifications herein are subject to change without notice.
- Specifications and battery cartridge may differ from country to country.
- Weight, with battery cartridge, according to EPTA-Procedure 01/2003

Noise	Sound pressure level		Sound power level		Applicable standard or directive
	L _{PA} (dB(A))	Uncertainty K (dB(A))	L _{PA} (dB(A))	Uncertainty K (dB(A))	
Model					
DUH551	81.5	2.1	91	1.5	2000/14/EC
DUH651	82	1.4	91.1	1.5	

- Wear ear protection.

Vibration	Declared emission (m/s ²)	Uncertainty K (m/s ²)	Applicable standard or directive
Model			
DUH551 / DUH651	≤ 2.5	1.5	EN60745

NOTE: The declared vibration emission value has been measured in accordance with the standard test method and may be used for comparing one tool with another.

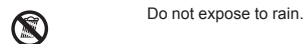
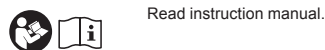
NOTE: The declared vibration emission value may also be used in a preliminary assessment of exposure.

⚠ WARNING: The vibration emission during actual use of the power tool can differ from the declared emission value depending on the ways in which the tool is used.

⚠ WARNING: Be sure to identify safety measures to protect the operator that are based on an estimation of exposure in the actual conditions of use (taking account of all parts of the operating cycle such as the times when the tool is switched off and when it is running idle in addition to the trigger time).

Symbol

The following show the symbols used for the equipment. Be sure that you understand their meaning before use.



Ni-MH
Li-ion

Only for EU countries
Do not dispose of electric equipment or battery pack together with household waste material! In observance of the European Directives, on Waste Electric and Electronic Equipment and Batteries and Accumulators and Waste Batteries and Accumulators and their implementation in accordance with national laws, electric equipment and batteries and battery pack(s) that have reached the end of their life must be collected separately and returned to an environmentally compatible recycling facility.

Intended use

The tool is intended for trimming hedges.

For European countries only

EC Declaration of Conformity

We Makita Corporation as the responsible manufacturer declare that the following Makita machine(s):

Designation of Machine:
Cordless Hedge Trimmer
Model No./ Type: DUH551, DUH651
Specifications: see "SPECIFICATIONS" table.

are of series production and

Conforms to the following European Directives:
2000/14/EC, 2006/42/EC

And are manufactured in accordance with the following standards or standardised documents:
EN60745

The technical documentation is kept by:
Makita International Europe Ltd.
Technical Department,
Michigan Drive, Tongwell,
Milton Keynes, Bucks MK15 8JD, England

The conformity assessment procedure required by Directive 2000/14/EC was in Accordance with annex V. Model DUH551

Measured Sound Power Level: 91.0 dB (A)
Guaranteed Sound Power Level: 93 dB (A)

Model DUH651

Measured Sound Power Level: 91.1 dB (A)
Guaranteed Sound Power Level: 93 dB (A)

8.8.2013



Tomoyasu Kato
Director
Makita Corporation
3-11-8, Sumiyoshi-cho,
Anjo, Aichi, 446-8502, JAPAN

General Power Tool Safety Warnings

⚠WARNING Read all safety warnings and all instructions. Failure to follow the warnings and instructions may result in electric shock, fire and/or serious injury.

Save all warnings and instructions for future reference.

CORDLESS HEDGE TRIMMER SAFETY WARNINGS

1. **Keep all parts of the body away from the cutter blade. Do not remove cut material or hold material to be cut when blades are moving. Make sure the switch is off when clearing jammed material.** A moment of inattention while operating the hedge trimmer may result in serious personal injury.
2. **Carry the hedge trimmer by the handle with the cutter blade stopped. When transporting or storing the hedge trimmer always fit the cutting device cover.** Proper handling of the hedge trimmer will reduce possible personal injury from the cutter blades.
3. **Hold the power tool by insulated gripping surfaces only, because the cutter blade may contact hidden wiring.** Cutter blades contacting a "live" wire may make exposed metal parts of the power tool "live" and could give the operator an electric shock.
4. Do not use the hedge trimmer in the rain or in wet or very damp conditions. The electric motor is not waterproof.
5. First-time users should have an experienced hedge trimmer user show them how to use the trimmer.
6. The hedge trimmer must not be used by children or young persons under 18 years of age. Young persons over 16 years of age may be exempted from this restriction if they are undergoing training under the supervision of an expert.
7. Use the hedge trimmer only if you are in good physical condition. If you are tired, your attention will be reduced. Be especially careful at the end of a working day. Perform all work calmly and carefully. The user is responsible for all damages to third parties.
8. Never use the trimmer when under the influence of alcohol, drugs or medication.
9. Work gloves of stout leather are part of the basic equipment of the hedge trimmer and must always be worn when working with it. Also wear sturdy shoes with anti-skid soles.
10. Before starting work check to make sure that the trimmer is in good and safe working order. Ensure guards are fitted properly. The hedge trimmer must not be used unless fully assembled.
11. Make sure you have a secure footing before starting operation.
12. Hold the tool firmly when using the tool.
13. Do not operate the tool at no-load unnecessarily.
14. Immediately switch off the motor and remove the battery cartridge if the cutter should come into contact with a fence or other hard object. Check the cutter for damage, and if damaged repair immediately.
15. Before checking the cutter, taking care of faults, or removing material caught in the cutter, always switch off the trimmer and remove the battery cartridge.
16. Switch off the trimmer and remove the battery cartridge before doing any maintenance work.
17. When moving the hedge trimmer to another location, including during work, always remove the battery cartridge and put the blade cover on the cutter blades. Never carry or transport the trimmer with the cutter running. Never grasp the cutter with your hands.
18. Clean the hedge trimmer and especially the cutter after use, and before putting the trimmer into storage for extended periods. Lightly oil the cutter and put on the cover. The cover supplied with the unit can be hung on the wall, providing a safe and practical way to store the hedge trimmer.
19. Store the hedge trimmer with the cover on, in a dry room. Keep it out of reach of children. Never store the trimmer outdoors.

SAVE THESE INSTRUCTIONS.

⚠WARNING: DO NOT let comfort or familiarity with product (gained from repeated use) replace strict adherence to safety rules for the subject product. MISUSE or failure to follow the safety rules stated in this instruction manual may cause serious personal injury.

IMPORTANT SAFETY INSTRUCTIONS

FOR BATTERY CARTRIDGE

1. Before using battery cartridge, read all instructions and cautionary markings on (1) battery charger, (2) battery, and (3) product using battery.
2. Do not disassemble battery cartridge.
3. If operating time has become excessively shorter, stop operating immediately. It may result in a risk of overheating, possible burns and even an explosion.
4. If electrolyte gets into your eyes, rinse them out with clear water and seek medical attention right away. It may result in loss of your eyesight.
5. Do not short the battery cartridge:
 - (1) Do not touch the terminals with any conductive material.
 - (2) Avoid storing battery cartridge in a container with other metal objects such as nails, coins, etc.
 - (3) Do not expose battery cartridge to water or rain.

A battery short can cause a large current flow, overheating, possible burns and even a breakdown.
6. Do not store the tool and battery cartridge in locations where the temperature may reach or exceed 50°C (122°F).
7. Do not incinerate the battery cartridge even if it is severely damaged or is completely worn out. The battery cartridge can explode in a fire.
8. Be careful not to drop or strike battery.
9. Do not use a damaged battery.
10. Follow your local regulations relating to disposal of battery.

SAVE THESE INSTRUCTIONS.

Tips for maintaining maximum battery life

1. Charge the battery cartridge before completely discharged.
Always stop tool operation and charge the battery cartridge when you notice less tool power.
2. Never recharge a fully charged battery cartridge.
Overcharging shortens the battery service life.
3. Charge the battery cartridge with room temperature at 10°C - 40°C (50°F - 104°F). Let a hot battery cartridge cool down before charging it.
4. Charge the battery cartridge once in every six months if you do not use it for a long period of time.

FUNCTIONAL DESCRIPTION

⚠ CAUTION:

- Always be sure that the tool is switched off and the battery cartridge is removed before adjusting or checking function on the tool.

Installing or removing battery cartridge

► Fig.1: 1. Red indicator 2. Button 3. Battery cartridge

⚠ CAUTION:

- Always switch off the tool before installing or removing of the battery cartridge.
- **Hold the tool and the battery cartridge firmly when installing or removing battery cartridge.** Failure to hold the tool and the battery cartridge firmly may cause them to slip off your hands and result in damage to the tool and battery cartridge and a personal injury.

To remove the battery cartridge, slide it from the tool while sliding the button on the front of the cartridge. To install the battery cartridge, align the tongue on the battery cartridge with the groove in the housing and slip it into place. Insert it all the way until it locks in place with a little click. If you can see the red indicator on the upper side of the button, it is not locked completely.

⚠ CAUTION:

- Always install the battery cartridge fully until the red indicator cannot be seen. If not, it may accidentally fall out of the tool, causing injury to you or someone around you.
- Do not install the battery cartridge forcibly. If the cartridge does not slide in easily, it is not being inserted correctly.

NOTE:

- The tool does not work with only one battery cartridge.

Tool/ battery protection system

The tool is equipped with a tool/battery protection system. This system automatically cuts off power to the motor to extend tool and battery life.

The tool will automatically stop during operation if the tool or battery are placed under one of the following conditions. In some conditions, the indicators light up.

Overload protection

When the tool is operated in a manner that causes it to draw an abnormally high current, the tool automatically stops without any indication. In this situation, turn the tool off and stop the application that caused the tool to become overloaded. Then turn the tool on to restart.

Overheat protection for tool/ battery

When the tool/ battery is overheated, the tool stops automatically without any indication. The tool does not start even if pulling the switch trigger. In this situation, let the tool/ battery cool before turning the tool on again.

NOTE: The battery overheat protection works only with a battery cartridge with a star marking.

► **Fig.2:** 1. Star marking

Overdischarge protection

► **Fig.3:** 1. Battery indicator

When the remaining battery capacity gets low, the battery indicator blinks on the applicable battery side. By further use, the tool stops and the battery indicator lights up about 10 seconds. In this situation, charge the battery cartridge.

Handle mounting positions

⚠CAUTION:

- Always make sure that the handle is locked in the desired position before operation.

► **Fig.4:** 1. Knob 2. Housing

Depending on the operations, you can set the angle of the handle either 45° or 90° position on left or right. To turn the handle, pull the knob and turn the handle as shown in the figure. The handle is locked in 45° position. To turn the handle to 90° position, pull the knob again and turn the handle more.

Switch action

⚠CAUTION:

- Before inserting the battery cartridge into the tool, always check to see that the switch trigger actuates properly and returns to the "OFF" position when released.

► **Fig.5:** 1. Switch trigger B 2. Switch trigger A
3. Lock-off button

For your safety, this tool has a dual switching system. To turn on the tool, press the lock-off button and press the switch trigger A and B. To turn off the switch, release either one of the switch triggers. The tool only starts when pulling the both switch triggers.

Speed change

► **Fig.6:** 1. Adjusting dial

The strokes per minute can be adjusted just by turning the adjusting dial. This can be done even while the tool is running. The dial is marked 1 (lowest speed) to 6 (full speed).

Refer to the table below for the relationship between the number settings on the adjusting dial and the strokes per minute.

Number on adjusting dial	Strokes per minute (min ⁻¹)
6	1,800
5	1,750
4	1,650
3	1,500
2	1,300
1	1,000

⚠CAUTION:

- The speed adjusting dial can be turned only as far as 6 and back to 1. Do not force it past 6 or 1, or the speed adjusting function may no longer work.
- The strokes per minute vary by the conditions of battery cartridge and shear blades.

OPERATION

⚠CAUTION:

- Be careful not to accidentally contact a metal fence or other hard objects while trimming. The blade will break and may cause serious injury.
- Overreaching with a hedge trimmer, particularly from a ladder, is extremely dangerous. Do not work from anything wobbly or infirm.

NOTICE: Do not attempt to cut branches thicker than 10 mm in diameter with the tool. Cut branches to 10 cm lower than the cutting height using branch cutters before using the tool.

► **Fig.7:** (1) Cutting height (2) 10 cm

⚠CAUTION:

- Do not cut off dead trees or similar hard objects. Failure to do so may damage the tool.

► **Fig.8**

Hold the trimmer with both hands and pull the switch trigger A or B and then move it in front of your body.

► **Fig.9:** 1. Trimming direction 2. Hedge surface to be trimmed 3. Tilt the blades.

As a basic operation, tilt the blades towards the trimming direction and move it calmly and slowly at the speed rate of 3 - 4 seconds per meter.

► **Fig.10**

To cut a hedge top evenly, it helps to tie a string at the desired hedge height and to trim along it, using it as a reference line.

► **Fig.11**

Attaching the chip receiver (optional accessory) on the tool when trimming the hedge straight can avoid cut off leaves' being thrown away.

► **Fig.12**

Rotate the handle for your easy handling before operation. Refer to the section titled "Handle mounting position".

To cut a hedge side evenly, it helps to cut from the bottom upwards.

► **Fig.13**

Trim boxwood or rhododendron from the base toward the top for a nice appearance and good job.

Installing or removing chip receiver (optional accessory)

CAUTION:

- Always be sure that the tool is switched off and the battery cartridge is removed before installing or removing chip receiver.

NOTE:

- When replacing the chip receiver, always wear gloves so that hands and face does not directly contact the blade. Failure to do so may cause personal injury.
- Always be sure to remove the blade cover before installing the chip receiver.
- The chip receiver receives cut-off leaves and alleviates collecting thrown-away leaves. This can be installed on either side of the tool.

► **Fig.14:** 1. Press 2. Chip receiver 3. Nut 4. Shear blade

Press the chip receiver on the shear blades so that its slits overlap with the nuts on the shear blades. At this time, make sure that the chip receiver does not contact branch catcher at the top of the shear blades.

► **Fig.15:** 1. Nut 2. Branch catcher

At this time, the chip receiver needs to be installed so that its hooks fit into grooves in the shear blade unit.

► **Fig.16:** 1. Hooks 2. Fit the hooks into groove 3. Grooves

To remove the chip receiver, press its lever on both sides so that the hooks are unlocked.

► **Fig.17:** 1. Press the levers on both sides 2. Unlock the hooks

CAUTION:

- The blade cover cannot be installed on the tool with the chip receiver being installed. Before carrying or storing, uninstall the chip receiver and then install the blade cover to avoid blade exposure.

NOTE:

- Check the chip receiver for secure installment before use.
- Never try to uninstall the chip receiver by an excessive force with its hooks locked in the blade unit grooves. Using the excessive force may damage it.

MAINTENANCE

CAUTION:

- Always be sure that the tool is switched off and the battery cartridge is removed before attempting to perform inspection or maintenance.
- Never use gasoline, benzine, thinner, alcohol or the like. Discoloration, deformation or cracks may result.

Cleaning the tool

Clean out the tool by wiping off dust with a dry or soap-dipped rag.

Blade maintenance

Smear the blade before and once per hour during operation using machine oil or similars.

NOTE:

- Before smearing the blade, remove the chip receiver.

After operation, remove dust from both sides of the blade with wired brush, wipe it off with a rag and then apply enough low-viscosity oil, such as machine oil etc. and spray-type lubricating oil.

CAUTION:

- Do not wash the blades in water. Failure to do so may cause rust or damage on the tool.

Removing or installing shear blade

CAUTION:

- Before removing or installing shear blade, always be sure that the tool is switched off and the battery cartridge is removed.
- When replacing the shear blade, always wear gloves without removing blade cover so that hands and face does not directly contact the blade. Failure to do so may cause personal injury.

NOTE:

- Do not wipe off grease from the gear and crank. Failure to do so may cause damage to the tool.
- For specific way of removing and installing shear blades refer to the reverse of a package for accessory shear blades.

Removing the shear blades

Reverse the tool and loosen four screws.

► **Fig.18:** 1. Blade cover 2. Screws

NOTE:

- Be careful not to get your hands dirty as grease is applied in the shear blade driving area.

Remove the under cover.

► **Fig.19:** 1. Under cover 2. Blade cover 3. Screws

Remove the plate.

► **Fig.20:** 1. Plate

Set the crank at the angle as shown in the figure with a slotted screwdriver.

► **Fig.21:** 1. Crank

Remove two screws from the shear blades and the shear blade unit will be taken out.

► **Fig.22:** 1. Screws 2. Shear blade

CAUTION:

- Return the gear to the original position in such a manner as it was installed if it should be taken away by mistake.

Installing the shear blades

Prepare 4 removed screws (For under cover), 2 screws (For shear blade), plate, under cover, and new shear blades.

Adjust the crank position as shown in the figure. At this time, apply some grease provided with new shear blades to the periphery of the crank.

► **Fig.23:** 1. Crank

Overlap the oval hole in the upper blade with that in the lower one.

► **Fig.24:** 1. Oval hole of shear blade

Take out the blade cover from the old shear blades and fit it onto the new ones for easy handling during the replacement of blades.

► **Fig.25**

Place the new shear blades on the tool so that the oval holes in the shear blades fit onto the crank. Overlap the holes in the shear blades with the screw holes in the tool and then secure them with two screws.

► **Fig.26:** 1. Oval hole of shear blade 2. Crank
3. Screws

Check the crank for smooth turn with a slotted screwdriver.

► **Fig.27:** 1. Crank

Install the plate, under cover on the tool. Tighten the screw firmly.

NOTE:

- There is no distinction between the top and bottom of the plate.

Remove the blade cover and then turn on the tool to check it for proper movement.

NOTE:

- When the shear blades does not operate properly, there is a poor fit between the blades and crank. Redo from the beginning.

Replacing carbon brushes

► **Fig.28:** 1. Limit mark

Remove and check the carbon brushes regularly. Replace when they wear down to the limit mark. Keep the carbon brushes clean and free to slip in the holders. Both carbon brushes should be replaced at the same time. Use only identical carbon brushes.

► **Fig.29:** 1. Holder cap cover 2. Slotted screwdriver

Insert the top end of slotted screwdriver into the notch in the tool and remove the holder cap cover by lifting it up.

► **Fig.30:** 1. Brush holder cap 2. Slotted screwdriver

Use a slotted screwdriver to remove the brush holder caps. Take out the worn carbon brushes, insert the new ones and secure the brush holder caps.

Reinstall the holder cap cover on the tool.

Storage

The hook hole in the bottom of the blade cover is convenient for hanging the tool from a nail or screw on the wall.

► **Fig.31**

Remove the battery cartridge and put the blade cover on the shear blades so that the blades are not exposed. Store the tool out of the reach of children carefully.

Store the tool in the place not exposed to water and rain.

To maintain product SAFETY and RELIABILITY, repairs, any other maintenance or adjustment should be performed by Makita Authorized Service Centers, always using Makita replacement parts.

OPTIONAL ACCESSORIES

CAUTION:

- These accessories or attachments are recommended for use with your Makita tool specified in this manual. The use of any other accessories or attachments might present a risk of injury to persons. Only use accessory or attachment for its stated purpose.

If you need any assistance for more details regarding these accessories, ask your local Makita Service Center.

- Blade cover
- Shear blade assembly
- Makita genuine battery and charger
- Chip receiver

NOTE:

- Some items in the list may be included in the tool package as standard accessories. They may differ from country to country.

SPECIFIKATIONER

Modell	DUH551	DUH651
Bladlängd	550 mm	650 mm
Slag per minut (min ⁻¹)	1 000 - 1 800	
Längd	1 065 mm	1 135 mm
Märkspänning	36 V likström	
Vikt	5,1 kg	5,2 kg

- På grund av vårt pågående program för forskning och utveckling kan dessa specifikationer ändras utan föregående meddelande.
- Specifikationer och batterikassett kan variera från land till land.
- Vikt med batterikassett i enlighet med EPTA-procedur 01/2003

Buller	Ljudtrycksnivå		Ljudeffektsnivå		Gällande standard eller direktiv
Modell	L _{PA} (dB(A))	Måttolerans K (dB(A))	L _{PA} (dB(A))	Måttolerans K (dB(A))	
DUH551	81,5	2,1	91	1,5	2000/14/EC
DUH651	82	1,4	91,1	1,5	

- Använd hörselskydd.

Vibration	Deklarerad emission (m/s ²)	Måttolerans K (m/s ²)	Gällande standard eller direktiv
Modell			
DUH551 / DUH651	≤ 2,5	1,5	EN60745

OBS: Det deklarerade vibrationsemissionsvärdet har uppmätts i enlighet med standardtestmetoden och kan användas för jämförandet av en maskin med en annan.

OBS: Det deklarerade vibrationsemissionsvärdet kan också användas i preliminär bedömning av exponering för vibration.

⚠ VARNING: Vibrationsemissionen under faktisk användning av maskinen kan skilja sig från det deklarerade emissionsvärdet, beroende på hur maskinen används.

⚠ VARNING: Se till att hitta säkerhetsåtgärder som kan skydda användaren och som grundar sig på en uppskattning av exponering i verkligheten (ta med i beräkningen alla delar av användandet såsom antal gånger maskinen är avstängd och när den körs på tomgång samt då startomkopplaren används).

Symbol

Följande visar symbolerna som används för utrustningen. Se till att du förstår innebörden innan du använder bormaskinen.



Läs bruksanvisningen.



Utsätt inte maskinen för regn.



Ni-MH
Li-ion

Gäller endast EU-länder
Elektrisk utrustning eller batteripaket får inte kastas i hushållssoptorna!
Enligt EU-direktiven som avser förbrukad elektrisk och elektronisk utrustning, batterier, ackumulatörer, förbrukade batterier och ackumulatörer, samt direktivens tillämpning enligt nationell lagstiftning, ska uttjänt elektrisk utrustning, batterier och batteripaket sorteras separat och lämnas till miljövänlig återvinning.

Användningsområde

Maskinen är avsedd för att trimma häckar.

Gäller endast Europa

EU-konformitetsdeklaration

Vi Makita Corporation som ansvariga tillverkare deklarerar att följande Makita-maskin(er):

Maskinbeteckning:

Batteridrivna häcktrimmer

Modellnr./-typ: DUH551, DUH651

Specifikationer: se tabellen "SPECIFIKATIONER".

är serieproduktionstillverkad och

Följer följande EU-direktiv:

2000/14/EU, 2006/42/EU

Och är tillverkade enligt följande standarder eller standardiseringsdokument:

EN60745

Den tekniska dokumentationen förs av:

Makita International Europe Ltd.

Technical Department,

Michigan Drive, Tongwell,

Milton Keynes, Bucks MK15 8JD, England

Konformitetsgodkännandet som krävs av direktivet 2000/14/EG, var i överensstämmelse med Annex V. Modell DUH551

Uppmätt ljudeffektnivå: 91,0 dB (A)
Garanterad ljudeffektnivå: 93 dB (A)

Modell DUH651

Uppmätt ljudeffektnivå: 91,1 dB (A)
Garanterad ljudeffektnivå: 93 dB (A)

8.8.2013



Tomoyasu Kato
Direktör
Makita Corporation
3-11-8, Sumiyoshi-cho,
Anjo, Aichi, 446-8502, JAPAN

Allmänna säkerhetsvarningar för maskin

⚠ VARNING Läs igenom alla säkerhetsvarningar och instruktioner. Underlåtenhet att följa varningar och instruktioner kan leda till elektrisk stöt, brand och/eller allvarliga personskador.

Spara alla varningar och instruktioner för framtida referens.

SÄKERHETSVARNINGAR FÖR BATTERIDRIVEN HÄCKTRIMMER

1. **Håll kroppen borta från skärbladet. Ta inte bort avklippt material eller håll inte i materialet som ska klippas av när bladen är i rörelse. Kontrollera att avtryckaren är avstängd när material som har fastnat ska tas bort.** Ett ögonblick av ouppmärksamhet när häcktrimmern är igång kan resultera i allvarlig personskada.
2. **Bär häcktrimmern i handtaget när skärbladet stannat helt. När häcktrimmern transporteras eller förvaras ska alltid skyddet för skärbladen sitta på.** Korrekt hantering av häcktrimmern minskar möjliga personskador från skärbladen.
3. **Håll endast tag i maskinens isolerade grepppytor eftersom skärbladet kan komma i kontakt med döda kablar.** Om skärbladet kommer i kontakt med en strömförande ledning blir dess metalldelar strömförande och kan ge operatören en elektrisk stöt.
4. Använd inte häcktrimmern i regnet eller under våta eller fuktiga förhållanden. Den elektriska motorn är inte vattentät.
5. Förstagångsanvändare ska ha en person som är erfaren av häcktrimning, som visar hur trimmern ska användas.
6. Häcktrimmern får inte användas av barn eller ungdomar under 18 år. Undantag kan göras för ungdomar över 16 år som har fått utbildning och träning av en utbildad expert.

7. Använd endast häcktrimmern när du är i god fysisk kondition. Om du är trött blir du ouppmärksam. Var speciellt försiktig vid arbetsdagens slut. Utför allt arbete noggrant och i lugnt tempo. Användaren är ansvarig för all skada på tredje person.
8. Använd aldrig trimmern om du är påverkad av alkohol, droger eller mediciner.
9. Arbetshandskar av starkt läder är en del av grundutrustningen för häcktrimmern och måste alltid bäras när maskinen används. Använd också kraftiga skor med halksäkra sulor.
10. Innan du börjar att arbeta ska du kontrollera att trimmern är i bra och säkert skick. Kontrollera att skydden sitter fast ordentligt. Häcktrimmern får inte användas om den inte är fullständig monterad.
11. Se till att du står stadigt innan du börjar använda maskinen.
12. Håll ett stadigt tag i maskinen när du arbetar.
13. Använd inte maskinen obelastad i onödan.
14. Stäng genast av motorn och ta bort batterikassetten om skärbladet skulle komma i kontakt med ett stängsel eller annat hårt objekt. Kontrollera om bladet är skadat och reparera det omedelbart om så är fallet.
15. Stänga alltid av trimmern och ta bort batterikassetten innan bladet kontrolleras, innan material tas bort som har fastnat i bladet eller om något fel ska åtgärdas.
16. Stäng av trimmern och ta bort batterikassetten innan du utför något underhållsarbete.
17. När häcktrimmern ska flyttas till en annan plats, inklusive under arbete, ska batterikassetten alltid tas bort och bladskyddet ska fästas på skärbladen. Bär aldrig och transporter aldrig häcktrimmern medan bladet löper. Ta aldrig i bladet med händerna.
18. Rengör häcktrimmern och speciellt bladet efter användning och innan trimmern förvaras för en längre period. Smörj bladet lätt med olja och trä på skyddet. Skyddet som medföljer enheten kan hängas på väggen vilket ger en säker och praktisk förvaring för häcktrimmern.
19. Förvara häcktrimmern med skyddet på, i ett torrt utrymme och utom räckhåll för barn. Förvara aldrig trimmern utomhus.

SPARA DESSA ANVISNINGAR.

⚠ VARNING: GLÖM INTE att noggrant följa säkerhetsanvisningarna för maskinen även efter det att du har blivit van att använda den. OVARSAM hantering eller underlåtenhet att följa säkerhetsanvisningarna i denna bruksanvisning kan leda till allvarliga personskador.

VIKTIGA SÄKERHETSANVISNINGAR

FÖR BATTERIKASSETT

1. Innan batterikassetten används ska alla instruktioner och varningsmärken på (1) batteriladdaren, (2) batteriet och (3) produkten läsas.
2. Montera inte isär batterikassetten.
3. Om driftstiden blivit avsevärt kortare ska användningen avbrytas omedelbart. Det kan uppstå överhettning, brännskador och t o m en explosion.
4. Om du får elektrolyt i ögonen ska de sköljas med rent vatten och läkare uppsökas omedelbart. Det finns risk för att synen förloras.
5. Kortslut inte batterikassetten.
 - (1) Rör inte vid polerna med något strömförande material.
 - (2) Undvik att förvara batterikassetten tillsammans med andra metallobjekt som t ex spikar, mynt etc.
 - (3) Skydda batteriet mot vatten och regn. Ett kortslutet batteri kan orsaka ett stort strömföflöde, överhettning, risk för brännskador och maskinen kan till och med gå sönder.
6. Förvara inte maskinen och batterikassetten på platser där temperaturen kan nå eller överstiga 50°C (122°F).
7. Bränn inte upp batterikassetten även om den är svårt skadad eller helt utsliten. Batterikassetten kan explodera i öppen eld.
8. Var försiktig så att du inte råkar tappa batteriet och utsätt det inte för stötar.
9. Använd inte ett skadat batteri.
10. Följ lokala föreskrifter beträffande avfallshantering av batteriet.

SPARA DESSA ANVISNINGAR.

Tips för att uppnå batteriets maximala livslängd

1. Ladda batterikassetten innan den är helt urladdad. Sluta att använda maskinen och ladda batterikassetten när du märker att kraften avtar.
2. Ladda aldrig en fulladdad batterikasset. Överladdning förkortar batteriets livslängd.
3. Ladda batterikassetten vid rumstemperaturer mellan 10°C och 40°C (50°F - 104°F). Låt en varm batterikasset svalna innan den laddas.
4. Ladda batterikassetten om du inte har använt den på mer än sex månader.

FUNKTIONSBSKRIVNING

⚠ FÖRSIKTIGT:

- Se alltid till att maskinen är avstängd och batterikassetten borttagen innan du justerar eller kontrollerar maskinens funktioner.

Montera eller demontera batterikassetten

► Fig.1: 1. Röd indikator 2. Knapp 3. Batterikasset

⚠ FÖRSIKTIGT:

- Stäng alltid av maskinen innan du monterar eller tar bort batterikassetten.
- **Håll stadigt i maskinen och batterikassetten när du installerar eller tar bort batterikassetten.** Om du inte håller stadigt i maskinen och batterikassetten kan de halka ur dina händer och skadas samt orsaka personskada.

Ta bort batterikassetten genom att skjuta ner knappen på kassetens framsida samtidigt som du drar ut batterikassetten.

Sätt i batterikassetten genom att rikta in tungan på batterikassetten mot spåret i höljet och skjut den på plats. Tryck in batterikassetten ordentligt tills den låser fast med ett klick. Om du kan se den röda indikatorn på knappens ovansida är batterikassetten inte låst ordentligt.

⚠ FÖRSIKTIGT:

- Sätt alltid i batterikassetten helt tills den röda indikatorn inte längre syns. I annat fall kan den oväntat falla ur maskinen och skada dig eller någon annan.
- Montera inte batterikassetten med våld. Om kassetten inte lätt glider på plats är den felinsatt.

OBS:

- Maskinen fungerar inte med endast en batterikasset.

Maskin-/batteriskyddssystem

Maskinen är utrustad med ett maskin-/batteriskyddssystem. Detta system bryter automatiskt strömmen till motorn för att förlänga maskinens och batteriets livslängd.

Maskinen stoppar automatiskt under användningen om maskinen eller batteriet hamnar i en av följande situationer. Indikatorerna tänds i vissa situationer.

Överbelastningssystem

Om maskinen används på ett sätt som gör att den drar onormalt mycket ström kan den stoppas automatiskt utan någon varning. När detta sker stänger du av maskinen och upphör med arbetet som gjorde att maskinen överbelastades. Starta därefter upp maskinen igen.

Överhettningsskydd för maskin/ batteri

Om maskinen eller batteriet är överhettat stoppar maskinen automatiskt utan några indikeringar. Maskinen startar inte trots att du trycker på avtryckaren. I detta läge ska du låta maskinen eller batteriet svalna innan du startar maskinen igen.

OBS: Överhettningsskyddet för batteriet fungerar endast med en stjärnmärkt batterikasset.

► **Fig.2:** 1. Stjärnmarkering

Överurladdningsskydd

► **Fig.3:** 1. Batteriindikator

När återstående batterikapacitet blir låg blinkar batteriindikatorn på den aktuella batterisidan. Vid ytterligare användning stoppar maskinen och batteriindikatorn tänds under cirka 10 sekunder. Ladda batterikassetten om detta inträffar.

Handtagets monteringslägen

FÖRSIKTIGT:

- Kontrollera alltid att handtaget är spärrat i sitt läge innan du startar maskinen.

► **Fig.4:** 1. Vred 2. Hus

Beroende på användningen kan du ställa in vinkeln för hantaget på antingen 45° eller 90° åt vänster eller höger. För att vrida handtaget drar du i knappen och vrid handtaget så som visas i figuren. Handtaget låses i 45°-läge. För att vrida handtaget till 90°-läget drar du i knappen igen och vrider handtaget ytterligare.

Avtryckarens funktion

FÖRSIKTIGT:

- Innan du sätter i batterikassetten i maskinen ska du kontrollera att avtryckaren fungerar och återgår till läget "OFF" när du släpper den.

► **Fig.5:** 1. Avtryckarknapp B 2. Avtryckarknapp A 3. Säkerhetsknapp

Av säkerhetsskäl har denna maskin ett system som består av två avtryckare. För att starta maskinen trycker du in spärrknappen och trycker in avtryckaren A och B. Om du vill stänga av släpper du en av avtryckarna. Maskinen startar endast när båda avtryckarna hålls in.

Hastighetsändring

► **Fig.6:** 1. Justeringsratt

Slag per minut kan justeras genom att vrida justeringsratten. Detta kan göras även när maskinen används. Ratten är markerad med 1 (lägsta hastighet) till 6 (högsta hastighet).

Se tabellen nedan för förhållandet mellan sifferinställningarna på justeringsratten och slag per minut.

Siffror på justeringsratt	Slag per minut (min ⁻¹)
6	1 800
5	1 750
4	1 650
3	1 500
2	1 300
1	1 000

FÖRSIKTIGT:

- Ratten för hastighetsinställning kan endast vridas till 6 och tillbaka till 1. Tvinga den inte förbi 6 eller 1, eftersom det kan leda till att funktionen för hastighetsinställning inte längre fungerar.
- Slag per minut varierar beroende på batterikassetens tillstånd och skärbladen.

ANVÄNDNING

FÖRSIKTIGT:

- Var försiktig så att du inte kommer i kontakt med ett metallstängsel eller andra hårda objekt under trimningen. Bladet kommer att gå av och kan orsaka allvarliga skador.
- Att sträcka sig för långt med en häcktrimmer, särskilt från en steg, är extremt farligt. Arbeta inte om inte underlaget är fast eller stadigt.

OBSERVERA: Försök inte att klippa av grenar som är tjockare än 10 mm i diameter med maskinen. Klipp stora grenar till 10 cm lägre än klipphöjden med en grensax innan du använder denna maskin.

► **Fig.7:** (1) Klipphöjd (2) 10 cm

FÖRSIKTIGT:

- Klipp inte av döda träd eller liknande hårda objekt. I annat fall kan maskinen skadas.

► **Fig.8**

Håll trimmern och tryck med båda händerna in avtryckaren A eller B, och flytta maskinen framför dig.

► **Fig.9:** 1. Trimmingsriktning 2. Häcksida som ska trimmas 3. Luta bladen.

Som en grundanvändning, luta bladen i trimmingsriktningen och flytta maskinen lugnt och långsamt med en hastighet av 3 - 4 sekunder per meter.

► **Fig.10**

För att klippa övre delen av häcken jämnt, underlättar det att binda ett snöre vid önskad häckhöjd och trimma långs med det. Använd det som en referenslina.

► **Fig.11**

Att fästa flisuppsamlaren (valfritt tillbehör) på maskinen när häcken ska trimmas rakt kan förhindra att avklippta löv kastas iväg.

► Fig.12

Rotera handtaget så att maskinen är lätt att hantera innan du använder den. Se avsnittet med rubriken "Handtagets monteringslägen".

För att klippa en häcksida rakt, underlättar det om man klipper nerifrån och uppåt.

► Fig.13

Trimma buxbom eller rhododendron nerifrån och uppåt för fin form och snyggt arbete.

Montering eller demontering av flisuppsamlare (valfritt tillbehör)

FÖRSIKTIGT:

- Se alltid till att maskinen är avstängd och att batterikassetten är borttagen innan du monterar eller tar bort flisuppsamlaren.

OBS:

- Bär alltid handskar så att händerna inte kommer i direktkontakt med bladet när flisuppsamlaren ska bytas ut. I annat fall kan personskador uppstå.
- Se alltid till att ta bort bladskyddet innan du monterar flisuppsamlaren.
- Flisuppsamlaren tar emot avklippta löv och minskar mängden avklippta löv från att kastas iväg. Den kan monteras på endera sidan av maskinen.

► Fig.14: 1. Tryck 2. Flisuppsamlare 3. Mutter 4. Skärblad

Tryck flisuppsamlaren på skärbladen så att dess skåror överlappar muttrarna på skärbladen. Kontrollera nu att flisuppsamlaren inte kommer i kontakt med grenfångaren vid spetsen på skärbladen.

► Fig.15: 1. Mutter 2. Grenfångare

Nu behöver flisuppsamlaren monteras så att dess krokor passar in i spåren på skärbladsenheten.

► Fig.16: 1. Krok 2. Passa in krokarna i spåret 3. Spår

För att ta bort flisuppsamlaren trycker du på dess spak på båda sidor, så att krokarna låses upp.

► Fig.17: 1. Tryck in spakarna på båda sidor 2. Lås upp krokarna

FÖRSIKTIGT:

- Bladskyddet kan inte monteras på maskinen när flisuppsamlaren är monterad. Innan du bär eller förvarar maskinen ska flisuppsamlaren demonteras och därefter ska bladskyddet monteras för att undvika kontakt med bladet.

OBS:

- Kontrollera att flisuppsamlaren är ordentligt monterad före användningen.
- Försök aldrig att demontera flisuppsamlaren genom att trycka på den hårt, när dess krokor är låsta i bladenhetens spår. Det kan skada den.

UNDERHÅLL

FÖRSIKTIGT:

- Se alltid till att maskinen är avstängd och batterikassetten borttagen innan inspektion eller underhåll utförs.
- Använd inte bensin, thinner, alkohol eller liknande. Missfärgning, deformation eller sprickor kan uppstå.

Rengöring av maskinen

Rengör maskinen genom att torka av damm med en torr eller tvåldoppad trasa.

Underhåll av skärblad

Smörj bladet före användningen och en gång i timmen under själva användningen, med maskinolja eller liknande.

OBS:

- Innan du smörjer bladet ska du ta bort flisuppsamlaren.

Efter användning ska du ta bort damm från båda sidor av bladet med en trädborste. Torka av det med en trasa och applicera därefter tillräckligt mycket olja med låg viskositet, t.ex. maskinolja etc. och smörjolja av sprejtyp.

FÖRSIKTIGT:

- Tvätta inte bladen i vatten. I annat fall kan det orsaka rost eller skada maskinen.

Demontage eller montage av skärbladen

FÖRSIKTIGT:

- Före demontering eller montage av skärblad ska maskinen alltid kontrolleras så att den är avstängd och att batterikassetten är borttagen.
- När skärbladet ska bytas ut ska du alltid bära handskar och inte ta bort bladskyddet, för att händer och ansikte inte ska komma i direktkontakt med bladet. I annat fall kan personskador uppstå.

OBS:

- Torka inte av fett från växellådan eller vevhuset. I annat fall kan maskinen skadas.
- För specifikt sätt att ta bort och montera skärbladen, se baksidan på en förpackning för skärbladstillbehör.

Demontering av skärbladen

Vänd på maskinen och lossa de fyra skruvarna.

► **Fig.18:** 1. Bladskydd 2. Skruvar

OBS:

- Var försiktig så att du inte smutsar ner dina händer eftersom det finns fett i skärbladsområdet.

Ta bort det undre skyddet.

► **Fig.19:** 1. Undre skydd 2. Bladskydd 3. Skruvar

Ta bort plattan.

► **Fig.20:** 1. Platta

Ställ vevhuset i den vinkel som visas i figuren, med hjälp av en spårskruvmejsel.

► **Fig.21:** 1. Vevhus

Genom att ta bort de två skruvarna från skärbladen kan skärbladsenheten tas ut.

► **Fig.22:** 1. Skruvar 2. Skärblad

⚠ FÖRSIKTIGT:

- För tillbaka växelhuset till dess ursprungliga position, på samma sätt som det monterades, om du skulle ta bort det av misstag.

Montera skärbladen

Förbered de 4 borttagna skruvarna (för det undre skyddet), de 2 skruvarna (för skärbladet), plattan, det undre skyddet och nya skärblad.

Justera läget för vevhuset såsom framgår av figuren. Smörj nu på lite fett, som medföljer de nya skärbladen, ända ut till ytterkanten på vevhuset.

► **Fig.23:** 1. Vevhus

Överlappa det ovala hålet längst ut på bladet med det i det lägre.

► **Fig.24:** 1. Ovalt hål i skärblad

För en underlätta hantering vid bladbyte ska bladskyddet tas loss från de gamla skärbladen och fästas på de nya bladen.

► **Fig.25**

Placera de nya skärbladen på maskinen så att de ovala hålen i skärbladen passer in på vevhuset. Överlappa hålen i skärbladen med skruvhålen i maskinen och fäst dem sedan med två skruvar.

► **Fig.26:** 1. Ovalt hål i skärblad 2. Vevhus 3. Skruvar

Kontrollera att vevhuset går att vrida mjukt med en spårskruvmejsel.

► **Fig.27:** 1. Vevhus

Montera plattan under skyddet på maskinen. Dra ordentligt åt skruven.

OBS:

- Det finns ingen skillnad mellan plattans ovasida och undersida.

Ta bort bladskyddet och starta därefter maskinen för att kontrollera att bladens rörelser fungerar bra.

OBS:

- När skärbladen inte fungerar tillförlitligt finns det ett glapp mellan bladen och vevhuset. Börja om från början.

Byte av kolborstar

► **Fig.28:** 1. Slitmarkering

Ta bort och kontrollera kolborstarna regelbundet. Byt dem när de är slitna ner till slitmarkeringen. Håll kolborstarna rena så att de lätt kan glida in i hållarna. Båda kolborstarna ska bytas ut samtidigt. Använd endast identiska kolborstar.

► **Fig.29:** 1. Skyddslock 2. Spårskruvmejsel

För in den övre delen av spårskruvmejseln i urtaget på maskinen och ta bort skyddslocket genom bända loss det.

► **Fig.30:** 1. Kolhållarlock 2. Spårskruvmejsel

Använd en spårskruvmejsel för att ta bort locken till kolborstarna. Ta ut de utslitna kolborstarna, sätt in nya och sätt fast locken igen.

Sätt tillbaka skyddslocket på maskinen.

Förvaring

Krokhålet i änden av bladskyddet är praktiskt att hänga maskinen i, från en spik eller skruv i väggen.

► **Fig.31**

Ta bort batterikassetten och sätt på bladskyddet på skärbladen så att bladen inte exponeras. Var noga med att förvara maskinen utom räckhåll för barn.

Förvara maskinen på en plats som inte utsätts för vatten och regn.

För att upprätthålla produktens SÄKERHET och TILLFÖRLITLIGHET bör allt underhålls- och justeringsarbete utföras av ett auktoriserat Makita servicecenter och med reservdelar från Makita.

VALFRIA TILLBEHÖR

⚠ FÖRSIKTIGT:

- Dessa tillbehör och tillsatser rekommenderas för användning tillsammans med den Makita-maskin som denna bruksanvisning avser. Om andra tillbehör eller tillsatser används kan det uppstå risk för personskador. Använd endast tillbehören eller tillsatserna för de syften de är avsedda för.

Kontakta ditt lokala Makita servicecenter om du behöver ytterligare information om dessa tillbehör.

- Skärbladsskydd
- Skärbladssats
- Makitas originalbatteri och -laddare
- Flisuppsamlare

OBS:

- Några av tillbehören i listan kan vara inkluderade i maskinpaketet som standardtillbehör. De kan variera mellan olika länder.

TEKNISKE DATA

Modell	DUH551	DUH651
Bladlengde	550 mm	650 mm
Slag per minutt (min ⁻¹)	1 000 - 1 800	
Total lengde	1 065 mm	1 135 mm
Merkespenning	DC 36 V	
Nettovekt	5,1 kg	5,2 kg

- Som følge av vårt kontinuerlige forsknings- og utviklingsprogram kan de tekniske dataene endres uten ytterligere forvarsel.
- Tekniske data og batteri kan variere fra land til land.
- Vekt, med batteri, i henhold til EPA-prosedyre 01/2003

Støy	Lydtrykknivå		Lydeffektnivå		Gjeldende standard eller direktiv
Modell	L _{PA} (dB(A))	Usikkerhet K (dB(A))	L _{PA} (dB(A))	Usikkerhet K (dB(A))	
DUH551	81,5	2,1	91	1,5	2000/14/EC
DUH651	82	1,4	91,1	1,5	

- Bruk hørselvern.

Vibrasjoner	Oppgitt utslipp (m/s ²)	Usikkerhet K (m/s ²)	Gjeldende standard eller direktiv
Modell			
DUH551 / DUH651	≤ 2,5	1,5	EN60745

MERK: Den angitte verdien for de genererte vibrasjonene er blitt målt i samsvar med standardtestmetoden og kan brukes til å sammenlikne et verktøy med et annet.

MERK: Den angitte verdien for de genererte vibrasjonene kan også brukes til en foreløpig vurdering av eksponeringen.

⚠ ADVARSEL: De genererte vibrasjonene ved faktisk bruk av elektroverktøyet kan avvike fra den oppgitte vibrasjonsverdien, avhengig av hvordan verktøyet brukes.

⚠ ADVARSEL: Vær påpasselig med å finne sikkerhetstiltak som beskytter operatøren, basert på en oppfatning av risiko under faktiske bruksforhold (på bakgrunn av alle sider ved brukssyklusen, som når verktøyet slås av og når det går på tomgang, i tillegg til oppstarten).

Symbol

Nedenfor ser du symbolene som brukes for dette utstyret. Forviss deg om at du forstår hva de betyr, før du begynner å bruke maskinen.



Les bruksanvisningen.



Må ikke utsettes for regn.



Ni-MH
Li-ion

Kun for EU-land
Kast aldri elektriske produkter eller batteripakker i husholdningsavfallet!
I henhold til EU-direktivene om kasserte elektriske og elektroniske produkter, og om batterier og akkumulatører og brukte batterier og akkumulatører og direktivenes iverksetting i nasjonal rett, må elektriske produkter og batterier og batteripakker som ikke lenger skal brukes, samles separat og returneres til et miljøvennlig gjenvinningsanlegg.

Tilsiktet bruk

Denne maskinen er kun laget for å trimme hekker.

Gjelder bare land i Europa

EF-samsvarserklæring

Som ansvarlig produsent erklærer Makita Corporation at følgende Makita-maskin(er):

Maskinbetegnelse:

Trådløs hekktrimmer

Modellnr./type: DUH551, DUH651

Tekniske data: Se tabellen "TEKNISKE DATA".

er av serieproduksjon og

Samsvarer med følgende europeiske direktiver:

2000/14/EF, 2006/42/EF

Og er produsert i samsvar med følgende standarder eller standardiserte dokumenter:

EN60745

Den tekniske dokumentasjonen oppbevares hos:

Makita International Europe Ltd.

Technical Department,

Michigan Drive, Tongwell,

Milton Keynes, Bucks MK15 8JD, England

Samsvarsvurderingen som er påkrevet i henhold til direktiv 2000/14/EC ble utført jf. vedlegg V.

Modell DUH551

Målt lydeffektivnivå: 91,0 dB (A)

Garantert lydeffektivnivå: 93 dB (A)

Modell DUH651

Målt lydeffektivnivå: 91,1 dB (A)

Garantert lydeffektivnivå: 93 dB (A)

8.8.2013



Tomoyasu Kato

Direktør

Makita Corporation

3-11-8, Sumiyoshi-cho,

Anjo, Aichi, 446-8502, JAPAN

Generelle advarsler angående sikkerhet for elektroverktøy

⚠ADVARSEL Les alle sikkerhetsadvarslene og alle instruksjonene. Hvis du ikke følger alle advarslene og instruksjonene som er oppført nedenfor, kan det føre til elektriske støt, brann og/eller alvorlige helseskader.

Oppbevar alle advarsler og instruksjoner for senere bruk.

SIKKERHETSADVARSLER FOR TRÅDLØS HEKKTRIMMER

1. **Hold alle deler av kroppen borte fra knivbladet. Ikke forsøk å fjerne kapp eller å holde fast materiale som skal kuttes, mens bladene er i bevegelse. Pass på at bryteren er av når du fjerner materiale som har satt seg fast.** Et øyeblikks uoppmerksomhet mens du bruker hekktrimmeren kan være nok til å forårsake alvorlige helseskader.
2. **Bær hekktrimmeren etter håndtaket og med knivbladet i ro. Før transport eller lagring av hekktrimmeren må dekselet til knivenheten alltid settes på.** Korrekt håndtering av hekktrimmeren vil redusere sannsynligheten for at knivbladene forårsaker helseskader.
3. **Verktøyet skal kun holdes i de isolerte håndtakene, da knivbladet kan komme i kontakt med skjulte kabler.** Knivblader som berører en strømførende ledning, kan gjøre at metalldelene på verktøyet blir strømførende og gi brukeren elektrisk støt.
4. Ikke bruk hekktrimmeren når det regner eller når luftfuktigheten er veldig høy. Den elektriske motoren er ikke vannrett.
5. Førstegangsbrukere bør få en erfaren bruker av hekktrimmere til å vise dem hvordan trimmeren skal brukes.
6. Hekktimmeren må ikke brukes av barn eller unge under 18 år. Det kan gjøres unntak for ungdom over 16 år kan hvis de får opplæring under oppsyn av en ekspert.

7. Bruk hekktrimmeren bare hvis du er i god fysisk form. Trethet fører til uaksomhet. Vær spesielt forsiktig på slutten av arbeidsdagen. Utfør alt arbeid rolig og forsiktig. Brukeren er ansvarlig for all skader på tredjepart.
8. Du må aldri bruke trimmeren når du har drukket alkohol eller tatt rusmidler eller medikamenter.
9. Arbeidshansker av kraftig skinn inngår i det grunnleggende utstyret til hekktrimmeren og må alltid brukes under arbeidet med den. Bruk også robuste sko med såler som gir godt feste.
10. Før du begynner å jobbe, må du kontrollere at hekktrimmeren er funksjonsdyktig og i god stand. Påse at vernene er satt skikkelig på. Hekktimmeren må ikke brukes, med mindre den er satt helt sammen.
11. Sørg for å ha godt fotfeste før du begynner arbeidet.
12. Hold maskinen i et fast grep når du bruker den.
13. Ikke bruk maskinen uten belastning hvis det ikke er nødvendig.
14. Slå av motoren og fjern batteriet hvis knivene skulle komme i kontakt med et gjerde eller andre harde gjenstander. Kontroller kniven med tanke på eventuelle skader, og reparer den i så fall omgående.
15. Før du kontrollerer knivene, retter feil eller fjerner materiale som har satt seg fast i bladene, må du alltid slå av hekktrimmeren og fjerne batteriet.
16. Slå av hekktrimmeren og fjern batteriet før du utfører vedlikeholdsarbeid.
17. Når du flytter hekktrimmeren til et annet sted, inkludert under arbeid, må du alltid fjerne batteriet og dekke knivbladene med bladdekslet. Trimmeren må aldri bæres eller transporteres mens bladene går. Grip aldri om bladene med hendene.
18. Rengjør trimmeren og særlig bladene etter bruk, og før du setter bort trimmeren for oppbevaring for en lengre periode. Olje knivenheten forsiktig, og sett på dekselet. Dekselet som følger med enheten kan henges på veggen, slik at hekktrimmeren kan oppbevares på en sikker og praktisk måte.
19. Lagre hekktrimmeren med dekselet på i et tørt rom. Oppbevar den utilgjengelig for barn. Trimmeren må ikke oppbevares utendørs.

TA VARE PÅ DISSE INSTRUKSENE.

⚠ADVARSEL: Selv om du har brukt produktet mye og føler deg fortrolig med det, er det likevel svært viktig at du følger nøye de retningslinjene for sikkerhet som er utarbeidet for dette produktet. MISBRUK av verktøyet eller mislighold av sikkerhetsreglene i denne brukerhåndboken kan resultere i alvorlige helseskader.

VIKTIGE SIKKERHETSINSTRUKSJONER

FOR BATTERIET

1. Før du begynner å bruke batteriet, må du lese alle anvisninger og forsiktighetsregler på (1) batteriladeren, (2) batteriet og (3) det produktet batteriet skal brukes i.
 2. Ikke ta fra hverandre batteriet.
 3. Hvis driftstiden er blitt vesentlig kortere, må du omgående slutte å bruke maskinen. Hvis ikke kan resultatet bli overoppheting, mulige forbrenninger eller til og med en eksplosjon.
 4. Hvis du får elektrolytt i øynene, må du skylle dem med store mengder rennende vann og oppsøke lege med én gang. Denne typen uhell kan føre til varig blindhet.
 5. Ikke kortslutt batteriet.
 - (1) Ikke berør batteripolene med ledende materialer.
 - (2) Ikke lagre batteriet i samme beholder som andre metallgjenstander, som for eksempel spiker, mynter osv.
 - (3) Ikke la batteriet komme i kontakt med vann eller regn.
- En kortslutning av batteriet kan føre til et kraftig strømstøt, overoppheting, mulige forbrenninger og til og med til at batteriet går i stykker.
6. Ikke lagre maskinen og batteriet på steder hvor temperaturen kan komme opp i eller overskride 50 ° C (122 ° F).
 7. Ikke sett fyr på batteriet, ikke engang om det er sterkt skadet eller helt utslitt. Batteriet kan eksplodere hvis det begynner å brenne.
 8. Vær forsiktig så du ikke mister batteriet eller utsetter det for slag.
 9. Ikke bruk batterier som er skadet.
 10. Følg lokale bestemmelser for avhending av batterier.

TA VARE PÅ DISSE INSTRUKSENE.

Tips for å opprettholde maksimal batterilevetid

1. Lad batteriet igjen før det er fullstendig utladet. Hold alltid opp å bruke maskinen når du merker at det er lite strøm på batteriet. Sett batteriet til lading.
2. Et helt oppladet batteri må aldri settes til ny lading. Overopplading forkorter batteriets levetid.
3. Lad batteriet ved romtemperatur ved 10 ° C - 40 ° C (50 ° F - 104 ° F). Hvis batteriet er varmt, må det få avkjøle seg før lading.
4. Lad batteriet én gang hver sjette måned hvis det ikke blir brukt i en lengre periode.

FUNKSJONSBEKRIVELSE

FORSIKTIG:

- Forviss deg alltid om at maskinen er slått av og batteriet tatt ut før du justerer maskinen eller kontrollerer dens mekaniske funksjoner.

Sette inn eller ta ut batteri

► Fig.1: 1. Rød indikator 2. Knapp 3. Batteri

FORSIKTIG:

- Slå alltid av verktøyet før du setter inn eller fjerner batteriet.
- **Hold godt rundt maskinen og batteriet når du setter inn eller tar ut batteriet.** Hvis du mister ned maskinen eller batteriet, kan dette forårsake personskader eller skader på maskinen/batteriet.

For å ta ut batteriet må du skyve på knappen foran på batteriet og trekke det ut.

Når du skal sette inn batteriet, må du plassere tungen på batteriet på linje med sporet i huset og skyve batteriet på plass. Skyv det helt inn til det går i inngrep med et lite klikk. Hvis du kan se den røde anviseren på oversiden av knappen, er det ikke gått skikkelig i lås.

FORSIKTIG:

- Batteriet må alltid settes helt inn, så langt at den røde anviseren ikke lenger er synlig. Hvis du ikke gjør dette, kan batteriet falle ut av maskinen og skade deg eller andre som oppholder seg i nærheten.
- Ikke bruk makt når du setter i batteriet. Hvis batteriet ikke gliir lett inn, er det fordi det ikke settes inn på riktig måte.

MERK:

- Verktøyet fungerer ikke med kun ett batteri.

Batterivernssystem for verktøy/ batteri

Verktøyet er utstyrt med et batterivernssystem for verktøy/batteri. Dette systemet slår automatisk av strømmen til motoren for å forlenge verktøyets og batteriets levetid. Verktøyet stopper automatisk ved drift hvis verktøyet eller batteriet utsettes for en av følgende tilstander: Indikatorene lyser i noen tilfeller.

Overlastsikring

Når verktøyet brukes på en måte som gjør at det bruker unormalt mye strøm, vil verktøyet stoppe, helt automatisk og uten forvarsel. Slå i så fall av verktøyet og stopp arbeidet som forårsaket at verktøyet ble overbelastet. Slå deretter verktøyet på for å starte det igjen.

Overlastsikring for verktøy/batteri

Når verktøyet/batteriet er overopphetet, stopper verktøyet automatisk uten forvarsel. Verktøyet starter ikke selv om du trykker på startbryteren. I dette tilfellet, la verktøyet/batteriet avkjøles før du starter verktøyet på nytt.

MERK: Overopphetingsvernet fungerer bare med et batteri med stjerne.

► **Fig.2:** 1. Stjernemerking

Overutladningsvern

► **Fig.3:** 1. Batterianviser

Når det er lite strøm på batteriet, blinker batteriindikatoren på siden av gjeldende batteri. Ved fortsatt bruk stopper verktøyet, og batteriindikatoren blinker i cirka 10 sekunder. I dette tilfellet, lad batteriet.

Monteringsvinkler for håndtak

FORSIKTIG:

- Pass alltid på at håndtaket er låst i den ønskede stilling før du tar i bruk maskinen.

► **Fig.4:** 1. Knott 2. Hus

Avhengig av handlingene, kan du stille inn håndtaket i en vinkel på 45° eller 90° på venstre eller høyre. Håndtaket dreies ved å trekke i bryteren, og dreie håndtaket slik det er vist i figuren. Håndtaket er låst i en vinkel på 45°. For å dreie håndtaket i en vinkel på 90°, trekker du i bryteren igjen og dreier håndtaket ytterligere.

Bryterfunksjon

FORSIKTIG:

- Før du setter batteriet inn i maskinen, må du alltid kontrollere at startbryteren aktiverer maskinen på riktig måte og går tilbake til "AV"-stilling når den slippes.

► **Fig.5:** 1. Startbryter B 2. Startbryter A
3. AV-sperreknapp

Av hensyn til sikkerheten din, har dette verktøyet en dobbel startbryter. Verktøyet slås på ved å trykke på opplåsningsknappen og trykke på startbryter A og B. For å slå av bryteren må en av startbryterne slippes opp. Verktøyet kan kun startes ved å trekke i begge brytere.

Turtallsending

► **Fig.6:** 1. Innstillingshjul

Antallet slag per minutt kan endres ved å vri på innstillingshjulet. Dette kan gjøres selv når maskinen er i bruk. Hjulet er merket med tallene fra 1 (laveste hastighet) til 6 (høyeste hastighet).

Tabellen under viser forholdet mellom tallene på innstillingshjulet og antallet slag per minutt.

Tall på justeringsskive	Slag per minutt (min ⁻¹)
6	1 800
5	1 750
4	1 650
3	1 500
2	1 300
1	1 000

FORSIKTIG:

- Turtallsinnstillingshjulet kan kun dreies til 6 og så tilbake til 1. Ikke prøv å dreie det forbi 6 eller 1, ellers kan det hende at turtallsinnstillingen slutter å virke.
- Slagene per minutt varierer avhengig av batteri- og skjærebiltilstanden.

BRUK

FORSIKTIG:

- Vær forsiktig så du ikke utilsiktet kommer borti et metallgjerde eller andre harde gjenstander mens du trimmer hekken. Bladet vil brekke og kan forårsake alvorlige helseskader.
- Å lene seg ut over noe med en hekktrimmer, særlig fra en stige, er meget farlig. Når du jobber, må du ikke stå på noe som er ustøtt eller ustabil.

OBS: Ikke forsøk å beskjære greiner som er tykkere enn 10 mm i diameter med verktøyet. Kutt greiner til 10 cm lavere enn klippehøyden ved hjelp av en greinsaks før du bruker verktøyet.

► **Fig.7:** (1) klippehøyde (2) 10 cm

FORSIKTIG:

- Ikke kutt døde trær eller liknende harde gjenstander. Hvis du ikke retter deg etter dette, kan maskinen bli ødelagt.

► **Fig.8**

Hold trimmeren med begge hender, trekk i startbryter A eller B og beveg trimmeren foran kroppen din.

► **Fig.9:** 1. Trimmeretning 2. Hekkeoverflate som skal trimmes 3. Vipp bladene.

En grunnleggende arbeidsoperasjon består i å vippe bladene den veien trimmingen skal utføres, og bevege trimmeren sakte og rolig med en hastighet på 3 til 4 meter i sekundet.

► **Fig.10**

For å kutte toppen av en hekk jevnt, hjelper det å binde en snor i den ønskede hekkhøyden og trimme langs den.

► **Fig.11**

Hvis du fester en flisopsamler (tilbehør) på maskinen mens du trimmer hekken, kan du hindre at blader som er klippet av, flyr avgårde.

► **Fig.12**

Før du starter arbeidet, roterer du håndtaket slik at det blir enklere å håndtere. Se avsnittet "Monteringsvinkler for håndtak".

For å kutte siden av en hekk jevnt, hjelper det å kutte nedenfra og oppover.

► **Fig.13**

Buksbomved eller rhododendron må kuttet nedenfra og mot toppen for å se pene ut, og for at jobben skal bli gjort skikkelig.

Installere og fjerne flisopsamleren (tilbehør)

FORSIKTIG:

- Forsikre deg om at maskinen er slått av og at batteriet er tatt ut før du monterer/fjerner oppsamleren.

MERK:

- Når du skifter ut flisopsamleren, må du alltid bruke hansker, så ikke hender eller ansikt kommer i direkte kontakt med bladet. Hvis du ikke retter deg etter dette, kan det resultere i helseskader.
- Pass alltid på å fjerne bladdekelet før du installerer flisopsamleren.
- Flisopsamleren tar imot blader som er kuttet, så de ikke må samles sammen etterpå. Den kan monteres på begge sider av verktøyet.

- **Fig. 14:** 1. Trykk 2. Flisopsamler 3. Mutter 4. Skjæreblad

Trykk flisopsamleren på skjærebladene, så åpningene i den overlapper med mutterne på skjærebladene. På dette tidspunktet må du passe på at flisopsamleren ikke kommer i kontakt med grenfangeren på toppen av skjærebladene.

- **Fig. 15:** 1. Mutter 2. Grenfanger

Her må flisopsamleren monteres slik at krokene på den passer inn i sporene på skjærebladenheten.

- **Fig. 16:** 1. Kroker 2. Plasser krokene i sporet 3. Spor

For å fjerne flisopsamleren må du trykke på spaken dens på begge sider, så krokene slipper taket.

- **Fig. 17:** 1. Trykk på hendene på begge sider 2. Løsne krokene

FORSIKTIG:

- Bladdekelet kan ikke monteres på maskinen mens flisopsamleren er montert. Før du bærer maskinen noe sted, eller setter den på lager, må du avmontere flisopsamleren og montere bladdekelet for å unngå at bladene står utildekket.

MERK:

- Kontroller flisopsamleren før bruk med tanke på sikker montering.
- Ikke forsøk å avmontere flisopsamleren ved å bruke makt, mens krokene dens er festet i sporene til bladenheten. Hvis du bruker makt, kan den bli ødelagt.

VEDLIKEHOLD

FORSIKTIG:

- Forviss deg alltid om at maskinen er slått av og batteriet tatt ut før du foretar inspeksjon eller vedlikehold.
- Aldri bruk gasolin, bensin, tynner alkohol eller lignende. Det kan føre til misfarging, deformering eller sprekkdannelse.

Rengjøre maskinen

Rengjør maskinen ved å tørke støv av den med en tørr fille eller en fille dyppet i såpe.

Vedlikehold av bladene

Smør bladet før arbeidet begynner, og en gang i timen mens arbeidet pågår, med maskinolje eller liknende.

MERK:

- Fjern flisopsamleren før du smører bladet.

Etter drift fjerner du støv fra begge sidene av bladet med en ståltrådbørste, tørk av bladet med en klut og påfør deretter olje med lav viskositet, som maskinolje osv., og smør olje fra en sprayflaske.

FORSIKTIG:

- Ikke vask bladene i vann. Hvis du ikke retter deg etter dette, kan maskinen begynne å ruste eller bli skadet.

Ta av eller monter skjærebladet

FORSIKTIG:

- Før du fjerner eller monterer skjærebladet, må du alltid passe på at maskinen er slått av og batteriet fjernet.
- Når du skifter ut skjærebladet, må du alltid bruke hansker uten å fjerne bladdekelet, så ikke hender og ansikt kommer i direkte kontakt med bladet. Hvis du ikke retter deg etter dette, kan det resultere i helseskader.

MERK:

- Ikke tørk av grease fra giret eller veivakselen. Hvis du ikke retter deg etter dette, kan maskinen gå i stykker.
- Den konkrete måten å fjerne eller montere skjærebladene på, er beskrevet på baksiden av pakken med tilbehørsskjæreblader.

Fjerne skjæreblader

Snu maskinen og løsne fire skruer.

► **Fig.18:** 1. Bladdeksel 2. Skruer

MERK:

- Vær forsiktig så du ikke skitner til hendene dine, da det er grease i området rundt skjærebladene.

Ta av underdekselet.

► **Fig.19:** 1. Underdeksel 2. Bladdeksel 3. Skruer

Fjern platen.

► **Fig.20:** 1. Plate

Still inn veivakselen i en vinkel som vist i figuren, ved hjelp av en sporskrutrekker.

► **Fig.21:** 1. Veivaksel

Fjern to skruer fra skjærebladene, og ta ut skjærebladenheten.

► **Fig.22:** 1. Skruer 2. Skjæreblad

⚠FORSIKTIG:

- Sett giret tilbake i dets opprinnelige posisjon, om det skulle være tatt av ved en feiltakelse.

Montere skjærebladene

Gjør klar de 4 fjernede skruene (for underdekselet), 2 skruer (for skjærebladet), platen, underdekselet og nye skjæreblader.

Juster veivakselposisjonen som vist på figuren. På dette tidspunktet må du påføre litt grease som fulgte med de nye skjærebladene på periferen av veivakselen.

► **Fig.23:** 1. Veivaksel

La det ovale hullet i det øvre bladet overlappe med det i det nedre.

► **Fig.24:** 1. Ovalt hull på skjærebladet

Ta ut bladdekselet fra de gamle skjærebladene og sett det på de nye, så håndteringen skal bli enklere under utskiftingen av bladene.

► **Fig.25**

Plasser de nye skjærebladene på maskinen, slik at de ovale hullene i skjærebladene passer på veivakselen. La hullene i skjærebladene overlappe med skruerhullene i maskinen, og fest dem med to skruer.

► **Fig.26:** 1. Ovalt hull på skjærebladet 2. Veivaksel 3. Skruer

Kontroller veivakselen med tanke på jevn rotasjon med en sporskrutrekker.

► **Fig.27:** 1. Veivaksel

Monter platen og underdekselet på maskinen. Stram skruen godt.

MERK:

- Platens under- og overside er identiske.

Fjern bladdekselet og snu deretter maskinen for å kontrollere at den beveger seg som den skal.

MERK:

- Hvis skjærebladene ikke går som de skal, betyr det at bladene og veivakselen er dårlig justert i forhold til hverandre. Gjør det hele om igjen.

Skifte kullbørster

► **Fig.28:** 1. Utskiftingsmerke

Fjern og kontroller kullbørstene med jevne mellomrom. Skift dem når de er slitt ned til utskiftingsmerket. Hold kullbørstene rene og fri til å bevege seg i holderne. Begge kullbørstene må skiftes samtidig. Bruk bare identiske kullbørster.

► **Fig.29:** 1. Deksel til børsteholderhette 2. Sporskrutrekker

Stikk den flate enden av sporskrutrekkeren inn i hakket på verktøyet og løft ut dekselet til børsteholderhetten.

► **Fig.30:** 1. Børsteholderhette 2. Sporskrutrekker

Bruk en sporskrutrekker til å fjerne børsteholderhettene. Ta ut de slitte kullbørstene, sett i nye, og fest børsteholderhettene.

Sett dekslet på plass igjen på verktøyet.

Lagring

Krokullet i bunnen av bladdekselet er praktisk hvis du vil henge maskinen på en spiker eller skruer på veggen.

► **Fig.31**

Ta ut batteriet og plasser bladdekselet på skjærebladene, slik at bladene dekkes. Lagre maskinen utilgjengelig for barn.

Lagre maskinen på et sted som ikke er utsatt for vann eller regn.

For å opprettholde produktets SIKKERHET og PÅLITELIGHET, må reparasjoner, vedlikehold og justeringer utføres av Makitas autoriserte servicesentre, og det må alltid brukes reservedeler fra Makita.

VALGFRITT TILBEHØR

⚠FORSIKTIG:

- Det anbefales at du bruker dette tilbehøret eller verktøyet sammen med den Makita-maskinen som er spesifisert i denne håndboken. Bruk av annet tilbehør eller verktøy kan forårsake helseskader. Tilbehør og verktøy må kun brukes til det formålet det er beregnet på.

Ta kontakt med ditt lokale Makita-servicesenter hvis du trenger mer informasjon om dette tilbehøret.

- Bladdeksel
- Skjærebladenhet
- Makita originalbatteri og lader
- Flisopsamler

MERK:

- Enkelte elementer i listen kan være inkludert som standardtilbehør i verktøypakken. Elementene kan variere fra land til land.

TEKNISET TIEDOT

Malli	DUH551	DUH651
Terän pituus	550 mm	650 mm
Iskua minuutissa (min ⁻¹)	1 000 - 1 800	
Kokonaispituus	1 065 mm	1 135 mm
Nimellisjännite	DC 36 V	
Nettopaino	5,1 kg	5,2 kg

- Jatkuvan tutkimus- ja kehitysohjelman vuoksi pidätämme oikeuden muuttaa tässä mainittuja teknisiä ominaisuuksia ilman ennakoilmoitusta.
- Tekniset ominaisuudet ja akku saattavat vaihdella maakohtaisesti.
- Paino akku mukaan lukien EPTA-Procedure 01/2003 mukaan

Melutaso	Äänenpainetaso		Äänen tehotaso		Sovellettava standardi tai direktiivi
Malli	L _{PA} (dB(A))	Virhemarginaali K (dB(A))	L _{PA} (dB(A))	Virhemarginaali K (dB(A))	
DUH551	81,5	2,1	91	1,5	2000/14/EC
DUH651	82	1,4	91,1	1,5	

- Käytä kuulosuojaimia.

Tärinä	Ilmoitettu päästöarvo (m/s ²)	Virhemarginaali K (m/s ²)	Sovellettava standardi tai direktiivi
Malli			
DUH551 / DUH651	≤ 2,5	1,5	EN60745

HUOMAA: Ilmoitettu tärinäpäästöarvo on mitattu standarditestausmenetelmän mukaisesti, ja sen avulla voidaan vertailla työkaluja keskenään.

HUOMAA: Ilmoitettua tärinäpäästöarvoa voidaan käyttää myös altistumisen alustavaan arviointiin.

VAROITUS: Työkalun käytön aikana mitattu todellinen tärinäpäästöarvo voi poiketa ilmoitetusta tärinäpäästöarvosta työkalun käyttötavan mukaan.

VAROITUS: Selvitä käyttäjän suojaamiseksi tarvittavat varoimet todellisissa käyttöolosuhteissa tapahtuvan arvioidun altistumisen mukaisesti (ottaen huomioon käyttöjakso kokonaisuudessaan, myös jaksot, joiden aikana työkalu on sammutettuna tai käytettyä käynnillä).

Symboli

Laitteessa on käytetty seuraavia symboleja. Opettele näiden merkitys, ennen kuin käytät konetta.



Lue käyttöohjeet.



Suojaa sateelta.



Ni-MH
Li-ion

Koskee vain EU-maita
Älä hävitä sähkölaitteita tai akkuja tavallisen kotitalousjätteen mukana!
Sähkö- ja elektroniikkalaiteromua koskevan EU-direktiivin ja paristoja ja akkuja sekä käytettyjä paristoja ja akkuja koskevan direktiivin ja niiden maakohtaisten sovellusten mukaisesti käytetyt sähkölaitteet ja akut on toimitettava ongelmajätteen keräyspisteeseen ja ohjattava ympäristöstävälliseen kierrätykseen.

Käyttötarkoitus

Tämä työkalu on tarkoitettu pensasaitojen leikkaamiseen.

Koskee vain Euroopan maita

VAKUUTUS EC-VASTAAVUUDESTA

Vastuullinen valmistaja Makita Corporation ilmoittaa vastavansa siitä, että seuraava(t) Makitan valmistama(t) kone(et):

Koneen tunnistetiedot:

Akkukäyttöinen pensasleikkuri

Mallinro/tyyppi: DUH551, DUH651

Tekniset tiedot: ks. TEKNISET TIEDOT -taulukko.

ovat sarjavalmisteisia ja

Täyttävät seuraavien eurooppalaisten direktiivien vaatimukset:

2000/14/EY, 2006/42/EY

Ja että ne on valmistettu seuraavien standardien tai standardoitujen asiakirjojen mukaisesti:

EN60745

Teknisen dokumentaation ylläpidosta vastaa:

Makita International Europe Ltd.

Technical Department,

Michigan Drive, Tongwell,

Milton Keynes, Bucks MK15 8JD, England

Direktiivissä 2000/14/EY edellytetty vaatimustenmukaisuusarviointi tehtiin liitteen V mukaisesti.

Malli DUH551

Mitattu äänitehotaso: 91,0dB (A)

Taattu äänitehotaso: 93dB (A)

Malli DUH651

Mitattu äänitehotaso: 91,1dB (A)

Taattu äänitehotaso: 93dB (A)

8.8.2013



Tomoyasu Kato

Johtaja

Makita Corporation

3-11-8, Sumiyoshi-cho,

Anjo, Aichi, 446-8502, JAPAN

Sähkötyökalujen käyttöä koskevat varoitukset

VAROITUS Lue kaikki turvallisuusvaroitukset ja käyttöohjeet. Varoitusten ja ohjeiden noudattamatta jättäminen voi johtaa sähköiskuun, tulipaloon ja/tai vakavaan vammautumiseen.

Säilytä varoitukset ja ohjeet tulevaa käyttöä varten.

AKKUKÄYTTÖISEN PENSASLEIKKURIN TURVALLISUUSOHJEET

- Pidä kaikki kehon osat loitolla leikkuuterästä. Älä poista leikattua ainesta tai pidä leikatavasta aineksesta kiinni, kun terät liikkuvat. Varmista, että kytkin ei ole painettuna, kun poistat kiinni jäänyttä leikkuuainesta.** Hetkellinenkin huolimattomuus pensasleikkurin käytön aikana voi aiheuttaa vakavan vamman.
- Kanna pensasleikkuria kahvasta niin, että leikkuuterä on pysähdyksissä. Aseta pensasleikkurin teräsuojus paikalleen kuljetuksen ja varastoinnin ajaksi.** Pensasleikkurin asianmukainen käsittely vähentää leikkuuterien aiheuttamien vammautumisten mahdollisuutta.
- Pitele sähkötyökalua vain sen eristetyistä tartuntapinnoista, sillä leikkuuterä saattaa osua piilossa oleviin johtoihin.** Jos leikkuuterät osuvat jännitteeseen johtoon, jännite voi siirtyä työkalun sähköä johtaviin metalliosiin ja aiheuttaa käyttäjälle sähköiskun.
- Älä käytä pensasleikkuria sateella tai muotoin kosteissa olosuhteissa.** Sähkömoottori ei kestä vettä.
- Aloittelijoiden on hyvä pyytää neuvoja kokeneilta pensasleikkurien käyttäjiltä.
- Pensasleikkuria ei saa luovuttaa lasten tai alle 18-vuotiaiden nuorten käyttöön. Poikkeustapauksissa käyttö voidaan sallia myös kuusitoista vuotta täyttäneille, jos he opettelevat leikkurin käyttöä asiantuntijan valvonnassa.

- Käytä pensasleikkuria vain, jos olet hyvässä fyysisessä kunnossa.** Huomiokyky heikkenee väsymyksen myötä. Noudata erityistä varovaisuutta työpäivän lopulla. Työskentele rauhallisesti ja varovaisesti. Käyttäjä on vastuussa ulkopuolisille aiheutuvista vahingoista.
- Älä koskaan käytä pensasleikkuria alkoholiin, huumeiden tai lääkkeiden vaikutuksen alaisena.**
- Pensasleikkuria käytettäessä tulee käyttää paksuja nahkahanskaita.** Pidä myös tukevia ja pitäväpohjaisia kenkiä.
- Varmista, että pensasleikkuri on asianmukaisessa toimintakunnossa, ennen kuin aloitat työskentelyn.** Varmista, että suojat ovat oikein paikoillaan. Pensasleikkuria ei saa käyttää, jos kaikki osat eivät ole paikallaan.
- Varmista, että alusta on tukeva ennen työskentelyn aloittamista.**
- Pidä työkalu tukevassa otteessa käytön aikana.**
- Älä käytä työkalua tarpeettomasti ilman kuormaa.**
- Sammuta moottori välittömästi ja irrota akku, jos leikkuri osuu aitaan tai johonkin muuhun kovaan esineeseen.** Tarkista leikkurin kunto ja korjaa mahdolliset vauriot viipymättä.
- Sammuta leikkuri ja irrota akku aina, ennen kuin tarkistat leikkurin, korjaat vikoja tai poistat leikkuriin juuttunutta ainesta.**
- Sammuta leikkuri ja irrota akku, ennen kuin teet minkäänlaisia hoitotoimenpiteitä.**
- Irrota akku ja pane teräsuojus leikkuuterien päälle aina pensasleikkuria siirtäessäsi, myös työskentelyn aikana.** Älä koskaan kannaa tai kuljeta leikkuria, kun se on käynnissä. Älä koskaan tartu leikkuuterään käsin.
- Puhdista pensasleikkuri ja erityisesti leikkuuterä käytön jälkeen sekä silloin, kun viet pensasleikkurin varastoon pitkäksi aikaa.** Öljy leikkuuterä kevyesti ja aseta teräsuojus paikalleen. Laitteen mukana toimitetun suojuksen voi kiinnittää seinään, jolloin suojuksen toimii kätevästi ja turvallisena säilytyspaikkana pensasleikkurille.
- Säilytä pensasleikkuri kuivassa tilassa teräsuojus terän päällä.** Pidä leikkuri lasten ulottumattomissa. Älä koskaan säilytä leikkuria ulkotiloissa.

SÄILYTÄ NÄMÄ OHJEET.

VAROITUS: ÄLÄ anna työkalun helppokäyttöisyyden tai toistuvan käytön tuudittaa sinua vääriin turvallisuuden tunteeseen niin, että laiminlyöt työkalun turvaohjeiden noudattamisen. VÄÄRINKÄYTTÖ tai tämän käyttöohjeen turvamääräysten laiminlyönti voi johtaa vakaviin henkilövahinkoihin.

AKKU

- Ennen akun käyttöönottoa tutustu kaikkiin laturissa (1), akussa (2) ja akkukäyttöisessä tuotteessa (3) oleviin varoitusteksteihin.
- Älä pura akkua.
- Jos akun toiminta-aika lyhenee merkittävästi, lopeta akun käyttö. Seurauksena voi olla ylikuumentuminen, palovammoja tai jopa räjähdys.
- Jos akkuneustettua pääsee silmiin, huuhtele puhtaalla vedellä ja hakeudu välittömästi lääkärin hoitoon. Akkuneuste voi aiheuttaa sokeutumisen.
- Älä oikosulje akkua.
 - Älä koske akun napoihin millään sähköä johtavalla materiaalilla.
 - Vältä akun oikosulkemista äläkä säilytä akkua yhdessä muiden metalliesineiden, kuten naulojen, kolikoiden ja niin edelleen kanssa.
 - Älä altista akkua vedelle tai sateelle. Akun oikosulku voi aiheuttaa voimakkaan sähkövirran, palovammoja ja jopa laitteen rikkoutumisen.
- Älä säilytä työkalua ja akkua paikassa, jossa lämpötila voi nousta 50°C:een tai sitäkin korkeammaksi.
- Älä hävitä akkua polttamalla, vaikka se olisi pahoin vaurioitunut tai täysin loppuun kulunut. Avotuli voi saada akun räjähtämään.
- Varo kolhimasta tai pudottamasta akkua.
- Älä käytä viallista akkua.
- Hävitä akku paikallisten määräysten mukaisesti.

SÄILYÄ NÄMÄ OHJEET.

Vihjeitä akun käyttöiän pidentämiseksi

- Lataa akku ennen kuin se ehtii purkautua kokonaan. Lopeta työkalun käyttö ja lataa akku aina, kun huomaat tehon heikenevän.
- Älä koskaan lataa täyttä akkua. Yliilataus lyhentää akun käyttöikää.
- Lataa akku huoneenlämmössä 10°C-40°C. Anna kuumen akku jäähtyä ennen latausta.
- Lataa akku kuuden kuukauden välein, jos sitä ei käytetä pitkään aikaan.

TOIMINTOJEN KUVAUS

⚠HUOMIO:

- Varmista aina ennen säätöjä ja tarkastuksia, että työkalu on sammutettu ja akku irrotettu.

Akun asentaminen tai irrottaminen

► **Kuva1:** 1. Punainen ilmaisin 2. Painike 3. Akku

⚠HUOMIO:

- Sammuta työkalu aina ennen akun kiinnittämistä tai irrottamista.
- Pidä työkalusta ja akusta tiukasti kiinni, kun irrotat tai kiinnität akkua.** Jos akku tai työkalu putoaa, ne voivat vaurioitua tai aiheuttaa loukkaantumisen.

Irrota akku painamalla akun etupuolella olevaa painiketta ja vetämällä akku ulos työkalusta. Kiinnitä akku sovitamalla akku kieleke rungon uraan ja työntämällä akku sitten paikoilleen. Työnnä akku pohjaan asti niin, että kuulet sen napsahtavan paikoilleen. Jos painikkeen yläpuolella näkyy punainen ilmaisin, akku ei ole lukkiutunut täysin paikoilleen.

⚠HUOMIO:

- Työnnä akku aina pohjaan asti, niin että punainen ilmaisin ei enää näy. Jos akku ei ole kunnolla paikallaan, se voi pudota työkalusta ja aiheuttaa vammoja joko käyttäjälle tai sivullisille.
- Älä käytä voimaa akun asennuksessa. Jos akku ei mene paikalleen helposti, se on väärässä asennossa.

HUOMAA:

- Työkalu ei toimi yhdellä akulla.

Työkalun/akun suojausjärjestelmä

Työkalu on varustettu työkalu/akun suojausjärjestelmällä. Tämä järjestelmä pidentää työkalun ja akun käyttöikää katkaisemalla automaattisesti moottorin virran. Työkalu pysähtyy automaattisesti kesken käytön, jos työkalussa tai akussa ilmenee jokin seuraavista tilanteista: Joissakin tilanteissa merkkivalot syttyvät.

Ylikuormitussuoja

Kun työkalua käytetään tavalla, joka saa sen kuluttamaan epätavallisen suuren määrän virtaa, työkalu pysähtyy automaattisesti ilman mitään merkkivaloa tai ilmaisinta. Katkaise silloin työkalusta virta ja lopeta ylikuormitustilan aiheuttanut käyttö. Käynnistä sitten työkalu uudelleen kytkemällä siihen virta.

Työkalun/akun ylikuumentumissuoja

Kun työkalu/akku ylikuumentuu, työkalu pysähtyy automaattisesti ilman mitään merkkivaloa tai ilmaisinta. Työkalu ei käynnisty, vaikka liipaisinkytkintä painetaan. Anna silloin työkalun/akun jäähtyä, ennen kuin kytket työkaluun uudelleen virran.

HUOMAA: Akun ylikuumentumissuoja toimii vain, jos akku on merkitty tähtimerkillä.

► **Kuva2:** 1. Tähtimerkintä

Ylipurkautumissuoja

► Kuva3: 1. Akun ilmainen

Kun akun varaus käy vähiin, vastaavan akun puoleinen merkkivalo vilkkuu. Jos käyttöä jatketaan, työkalu pysähtyy ja akun merkkivalo syttyy noin 10 sekunnin ajaksi. Lataa silloin akku.

Kahvan asennot

▲HUOMIO:

- Varmista aina ennen käyttöä, että kahva on lukkiutunut haluttuun asentoon.

► Kuva4: 1. Nuppi 2. Kotelo

Kahvan voi asentaa käyttötarkoituksen mukaan eri asentoihin: 45° tai 90° vasemmalle tai oikealle. Jos haluat muuttaa kahvan asentoa, vedä nuppia ja käännä kahvaa kuvassa esitetyllä tavalla. Kahva lukittuu asentoon 45°. Jos haluat kääntää kahvan asentoon 90°, vedä nuppia uudelleen ja käännä kahvaa pidemmälle.

Kytkimen käyttäminen

▲HUOMIO:

- Tarkista aina ennen akun kiinnittämistä työkaluun, että liipaisinkytkin kytkeytyy oikein ja palaa OFF-asentoon, kun se vapautetaan.

► Kuva5: 1. Liipaisinkytkin B 2. Liipaisinkytkin A 3. Lukituksen vapautuskytkin

Tämä työkalun turvaominaisuuksiin kuuluu kaksiosainen käyttökytkin. Kun haluat kytkeä työkalun päälle, paina vapautuspainiketta ja paina sitten liipaisinkytkimiä A ja B. Kun haluat sammuttaa työkalun, vapauta jompikumpi liipaisinkytkin. Työkalu käynnistyy vain, jos kumpaakin liipaisinkytkintä painetaan.

Nopeuden muuttaminen

► Kuva6: 1. Säätypyörä

Iskujen määrä minuutissa voidaan säätää säätypyörää kiertämällä. Tämä voidaan tehdä myös työkalun ollessa käynnissä. Pyörässä on merkinnät 1 (pienin nopeus) 6 (suurin nopeus).

Katso alla olevasta taulukosta, mitä iskujen määrää minuutissa kukin säätypyörän merkintä vastaa.

Säätypyörän numero	Iskua minuutissa (min ⁻¹)
6	1 800
5	1 750
4	1 650
3	1 500
2	1 300
1	1 000

▲HUOMIO:

- Nopeudensäätöpyörää voi kääntää vain asentoon 6 ja asentoon 1 saakka. Älä pakota sitä asennon 6 tai 1 ohi, koska nopeudensäätötoiminto saattaa lakata toimimasta.
- Iskujen määrä minuutissa vaihtelee akun kennon ja terän tyyppin mukaan.

TYÖSKENTELY

▲HUOMIO:

- Huolehdi, että leikkurin terä ei osu metalliintaan tai muuhun kovaan esineeseen työskentelyn aikana. Muutoin terä rikkoutuu ja voi aiheuttaa vakavia vammoja.
- Pensasleikkurin kanssa kurkotteleminen, erityisesti tikkailla seisottaessa, on erittäin vaarallista. Älä käytä leikkuria epävakaailla alustoilla.

HUOMAUTUS: Älä leikkaa tällä leikkurilla halkaisijaltaan yli 10 mm:n oksia. Leikkaa oksat oksaksilla 10 cm alemmaksi kuin itse leikkuukorkeus ennen tämän laitteen käyttämistä.

► Kuva7: (1) Leikkuukorkeus (2) 10 cm

▲HUOMIO:

- Älä leikkaa puita tai mitään muutakaan kovaa materiaalia. Muutoin leikkuri voi vaurioitua.

► Kuva8

Tartu leikkuriin molemmilla käsillä, paina liipaisimet A ja B pohjaan ja käytä leikkuria siten, että se on etupuolellasi.

► Kuva9: 1. Leikkuusuunta 2. Pensaankorkeus 3. Kallista terää.

Perustasoitus tapahtuu siten, että leikkuuterää kallistetaan leikkuusuuntaan samalla, kun leikkuria liikutetaan eteenpäin nopeudella 3 - 4 sekuntia/metri.

► Kuva10

Pensaankorkeutta helpottaa, kun sen päälle sidotaan ohjauslanka, jonka mukaan pensas leikataan.

► Kuva11

Kun leikkuriin asennetaan kerääjä (valinnainen lisävaruste) pensasta tasoitettaessa, leikkujäte saadaan kerättyä talteen.

► Kuva12

Kierrä kahva sopivimpaan asentoon ennen käyttöä. Katso lisätietoja kohdasta "Kahvan asennot".

Pensaankorkeus on helpointa tasoittaa alhaalta ylöspäin.

► Kuva13

Puksipuiden ja rhododendron-pensaiden tasoitus kannattaa aloittaa tyvestä latvaa kohti edeten.

Keräimen (valinnainen lisävaruste) kiinnittäminen ja irrottaminen

⚠️HUOMIO:

- Varmista aina ennen keräimen kiinnittämistä tai irrottamista, että laite on sammutettu ja akku irrotettu.

HUOMAA:

- Keräimen kiinnittämisen aikana tulee käyttää hansikkaita, jotta terä ei pääse kosketuksiin paljaiden käsien kanssa. Muutoin seurauksena voi olla henkilövamma.
- Muista irrottaa teräsuojus, ennen kuin kiinnität keräimen.
- Keräin kerää leikkuujätettä, joten haravoitavien lehtien määrä vähenee. Keräin voidaan asentaa kummalle puolelle työkalua tahansa.

► **Kuva14:** 1. Paina 2. Keräin 3. Mutteri 4. Leikkuuterä

Sovita keräin leikkuuterän päälle siten, että keräimessä olevat aukot osuvat terän muttereiden kohdille. Varmista tässä vaiheessa, että keräin ei ole kosketuksissa leikkuuterän päässä olevan oksasuojuksen kanssa.

► **Kuva15:** 1. Mutteri 2. Oksasuojus

Asenna keräin sitten leikkuuterään niin, että keräimessä olevat kiinnikkeet asettuvat terässä oleviin uriin.

► **Kuva16:** 1. Kiinnikkeet 2. Sovita kiinnikkeet uriin 3. Urat

Keräin irrotetaan painamalla keräimen vastakkaisilla puolilla olevia painikkeita.

► **Kuva17:** 1. Paina kummallakin puolella olevaa vipua 2. Kiinnikkeet avautuvat

⚠️HUOMIO:

- Teräsuojusta ei voi asettaa paikalleen, jos keräin on kiinnitetty. Irrota keräin ja aseta teräsuojus paikalleen ennen pensasleikkurin siirtämistä tai varastointia.

HUOMAA:

- Varmista ennen leikkurin käyttämistä, että keräin on oikein asennettu.
- Älä yritä kiskoa keräintä irti väkivalloin, kun keräimen kiinnikkeet ovat kiinni leikkuuterän urissa. Keräin voi vaurioitua voimankäytön seurauksena.

KUNNOSSAPITO

⚠️HUOMIO:

- Varmista aina ennen tarkastusta tai huoltoa, että työkalu on sammutettu ja akku irrotettu.
- Älä koskaan käytä bensiiniä, ojentimia, alkoholia tai tms. aineita. Muutoin pinta voi halkeilla tai sen värit ja muoto voivat muuttua.

Työkalun puhdistaminen

Puhdista työkalu kuivalla tai saippuaveteen kastetulla rievulla.

Terien huolto

Levitä terään koneöljyä ennen käyttöä ja tunnin välein käytön aikana.

HUOMAA:

- Irrota keräin ennen terän voitelua.

Puhdista käytön jälkeen terän molemmat puolet pölystä harjaamalla, pyyhi terä rievulla ja levitä terään sitten riittävästi matalaviskositeettista öljyä, kuten koneöljyä tai suihkutettavaa voiteluöljyä.

⚠️HUOMIO:

- Älä pese teriä vedessä. Muutoin terät voivat ruostua tai työkalu vahingoittua.

Leikkuuterän irrottaminen ja kiinnittäminen

⚠️HUOMIO:

- Varmista aina ennen leikkuuterän kiinnittämistä tai irrottamista, että laite on sammutettu ja akku irrotettu.
- Terän kiinnittämisen aikana tulee käyttää hansikkaita ja teräsuojan on oltava paikallaan, jotta terä ei pääse kosketuksiin paljaiden käsien kanssa. Muutoin seurauksena voi olla henkilövamma.

HUOMAA:

- Älä pyyhi hammasrattaiden tai kammen rasvaa pois. Muutoin leikkuri voi vaurioitua.
- Lisätietoja leikkuuterien irrottamisesta ja asentamisesta on lisävarusteena saatavien leikkuuterien pakkauksen takana.

Leikkuuterien irrottaminen

Käännä leikkuri ylösalaisin ja irrota neljä ruuvia.

► **Kuva18:** 1. Teränsuojus 2. Ruuvit

HUOMAA:

- Varo likaamasta käsiäsi, sillä leikkuuterien liikealue on rasvattu.

Irrota alasuojus.

► **Kuva19:** 1. Kannen alusta 2. Teränsuojus 3. Ruuvit Poista levy.

► **Kuva20:** 1. Levy

Aseta kampi kuvassa esitetyllä tavalla käyttäen uraruuvitaltaa.

► **Kuva21:** 1. Kampi

Irrota leikkuuterän kaksi ruuvia ja irrota leikkuuterä sen jälkeen.

► **Kuva22:** 1. Ruuvit 2. Leikkuuterä

⚠️HUOMIO:

- Jos irrotat hammasratiaan vahingossa, palauta se alkuperäiseen asentoonsa.

Leikkuuterien kiinnittäminen

Ota esille 4 ruuvia alasuojusta varten, 2 ruuvia leikkuuterää varten, levy, alasuojus sekä uusi leikkuuterä. Aseta kampi kuvan mukaiseen asentoon. Lisää sitten uuden leikkuuterän mukana toimitettua rasvaa kammen reunoille.

► Kuva23: 1. Kampi

Sovita ylemmän terän soikea aukko alemman terän aukon kohdalle.

► Kuva24: 1. Soikea reikä leikkuuterän yläpuolella

Aseta vanhan leikkuuterän teräsuojus uuden leikkuuterän päälle, jotta sen asennuksen aikainen käsittely on helpompaa.

► Kuva25

Sovita uudet leikkuuterät työkaluun siten, että terissä olevat soikeat aukot asettuvat kammen ympärille. Sovita leikkuuterissä olevat aukot työkalun ruuvireikien kohdille ja kiinnitä terät sitten kahdella ruuvilla.

► Kuva26: 1. Soikea reikä leikkuuterän yläpuolella 2. Kampi 3. Ruuvit

Varmista, että kampi liikkuu esteettä, kääntämällä sitä uraruuvitaltalla.

► Kuva27: 1. Kampi

Kiinnitä levy sekä alasuojus työkaluun. Kiristä ruuvit huolellisesti.

HUOMAA:

- levyn ylä- ja alapuoli ovat samanlaisia.

Poista teräsuojus ja tarkista liikkuuko terä oikein koe-käyttämällä leikkuria.

HUOMAA:

- Jos leikkuuterät eivät toimi halutulla tavalla, terien ja kammen kiinnitys on tehty väärin. Aloita alusta.

Hiiliharjojen vaihtaminen

► Kuva28: 1. Rajamerkki

Irrota ja tarkista hiiliharjat säännöllisesti. Vaihda uusiin, kun ne ovat kuluneet rajamerkkiin saakka. Pidä hiiliharjat puhtaina ja vapaina liukumaan pitimissään. Molemmat hiiliharjat on vaihdettava samalla kertaa. Käytä vain keskenään samanlaisia hiiliharjoja.

► Kuva29: 1. Pidikkeen kuvun suojus 2. Uraruuvitalta

Aseta uraruuvitaltan kärki työkalussa olevaan koloon ja nosta pidikkeen kuvun suojus auki.

► Kuva30: 1. Harjanpitimen kansi 2. Uraruuvitalta

Irrota hiiliharjanpidikkeiden kuvut uraruuvitaltalla. Irrota kuluneet hiiliharjat, asenna uudet ja kiinnitä pidikkeiden kuvut.

Aseta pidikkeen kuvun suojus takaisin paikalleen.

Säilytys

Teräsuojuksen toisessa päässä on reikä, josta työkalu on kätevä ripustaa seinään kiinnitettynä naulaan tai ruuviin.

► Kuva31

Irrota akku ja kiinnitä teräsuojus, jotta leikkuuterät eivät ole paljaana. Säilytä työkalua lasten ulottumattomissa. Säilytä työkalua paikassa, jossa se ei altistu sateelle tai kosteudelle.

Koneen TURVALLISUUDEN ja LUOTETTAVUUDEN säilyttämiseksi korjaukset sekä muut huoltotoimet ja säädöt on jätettävä Makitan valtuuttaman huollon tehtäväksi käyttäen aina Makitan alkuperäisiä varaosia.

LISÄVARUSTEET

⚠️HUOMIO:

- Näitä lisävarusteita ja -laitteita suositellaan käytettäväksi tässä ohjekirjassa mainitun Makitan koneen kanssa. Minkä tahansa muun lisävarusteen tai -laitteen käyttäminen voi aiheuttaa loukkaantumisvaaran. Käytä lisävarusteita ja -laitteita vain niiden käyttötarkoituksen mukaisesti.

Jos tarvitset apua tai yksityiskohtaisempia tietoja seuraavista lisävarusteista, ota yhteys paikalliseen Makitan huoltoon.

- Teränsuojus
- Leikkausterälaite
- Aito Makitan akku ja laturi
- Keräin

HUOMAA:

- Jotkin luettelossa mainitut varusteet voivat sisältyä työkalun toimitukseen vakiovarusteina. Ne voivat vaihdella maittain.

SPECIFIKĀCIJAS

Modelis	DUH551	DUH651
Asmeņu garums	550 mm	650 mm
Gājienu minūtē (min ⁻¹)	1 000 - 1 800	
Kopējais garums	1 065 mm	1 135 mm
Nominālais spriegums	Līdzstrāva 36 V	
Neto svars	5,1 kg	5,2 kg

- Dēļ mūsu nepārtrauktās pētniecības un izstrādes programmas, šeit dotās specifikācijas var mainīties bez brīdinājuma.
- Specifikācijas un akumulatora kasetne dažādās valstīs var atšķirties.
- Svārs ar akumulatora kasetni atbilstošs EPTA procedūrai 01/2003

Troksnis	Skaņas spiediena līmenis		Skaņas jaudas līmenis		Piemērojamais standarts vai direktīva
	L _{PA} (dB(A))	Notekitība K (dB(A))	L _{PA} (dB(A))	Notekitība K (dB(A))	
DUH551	81,5	2,1	91	1,5	2000/14/EC
DUH651	82	1,4	91,1	1,5	

- Lietojiet ausu aizsardzības līdzekļus.

Vibrācija	Paziņotā emisija (m/s ²)	Notekitība K (m/s ²)	Piemērojamais standarts vai direktīva
Modelis			
DUH551 / DUH651	≤ 2,5	1,5	EN60745

PIEZĪME: Paziņotā vibrācijas emisijas vērtība noteikta atbilstoši standarta pārbaudes metodei un to var izmantot, lai salīdzinātu vienu darbarīku ar citu.

PIEZĪME: Paziņoto vibrācijas emisijas vērtību arī var izmantot iedarbības sākotnējā novērtējumā.

▲BRĪDINĀJUMS: Reāli lietojot mehānizēto darbarīku, vibrācijas emisija var atšķirties no paziņotās emisijas vērtības atkarībā no darbarīka izmantošanas veida.

▲BRĪDINĀJUMS: Lai aizsargātu lietotāju, nosakiet drošības pasākumus, kas pamatoti ar iedarbību reālos darba apstākļos (ņemot vērā visus ekspluatācijas cikla posmus, piemēram, laiku, kamēr darbarīks ir izslēgts un kad darbojas tukšgaitā, kā arī palaides laiku).



Ni-MH
Li-ion

Tikai ES valstīm
Neizmet elektrisko atkritojumu vai akumulatoru sadzīves atkritumos!
Saskaņā ar Eiropas direktīvu par elektrisko un elektronisko iekārtu atkritumiem, kā arī par baterijām un akumulatoriem, un bateriju un akumulatoru atkritumiem un to īstenošanu saskaņā ar valsts likumdošanu lietotais elektriskais aprīkojums, baterijas un akumulators kalpošanas laika beigās jāsavāc atsevišķi un jānogādā otrreizējai pārstrādei vidi saudzējošā veidā.

Paredzētā lietošana

Šis darbarīks ir paredzēts dzīvzoga apgriešanai.

Tikai Eiropas valstīm

EK Atbilstības deklarācija

Mēs, uzņēmums „Makita Corporation”, kā atbildīgs ražotājs paziņojam, ka sekojošais/ie „Makita” darbarīks/i:

Darbarīka nosaukums:

Bezvadu dzīvzoga griezējs

Modeļa Nr./ tips: DUH551, DUH651

Specifikācijas: skatīt tabulu „SPECIFIKĀCIJAS”.

ir sērijveida izstrādājums un

Atbilst sekojošām Eiropas Direktīvām:

2000/14/EK, 2006/42/EK

Un tas ražots saskaņā ar sekojošiem standartiem un standartdokumentiem:

EN60745

Tehnisko dokumentāciju uztur:

Makita International Europe Ltd.

Technical Department,

Michigan Drive, Tongwell,

Milton Keynes, Bucks MK15 8JD, Anglija

Simboli

Zemāk ir attēloti simboli, kas attiecas uz iekārtu. Pirms darbarīka izmantošanas pārliecinieties, vai pareizi izprotat to nozīmi.



Izlasiet rokasgrāmatu.



Neatstājiet liet.

Atbilstības novērtējuma procedūra, ko nosaka Direktīva 2000/14/EK, veikta atbilstoši V pielikumam.

Modelis DUH551

Aprēķinātais skaņas jaudas līmenis: 91,0 dB (A)
Garantētais skaņas jaudas līmenis: 93 dB (A)

Modelis DUH651

Aprēķinātais skaņas jaudas līmenis: 91,1 dB (A)
Garantētais skaņas jaudas līmenis: 93 dB (A)

8.8.2013



Tomoyasu Kato
Direktors
Makita Corporation
3-11-8, Sumiyoshi-cho,
Anjo, Aichi, 446-8502, JAPAN

Vispārējie mehanizēto darbarīku drošības brīdinājumi

▲BRĪDINĀJUMS Izlasiet visus drošības brīdinājumus un visus norādījumus. Brīdinājumu un norādījumu neievērošanas gadījumā var rasties elektriskās strāvas trieciens, ugunsgrēks un/vai nopietnas traumas.

Glabājiet visus brīdinājumus un norādījumus, lai varētu tajos ieskatīties turpmāk.

DROŠĪBAS NOTEIKUMI BEZVADU DZĪVŽOGA GRIEZĒJA LIETOŠANAI

- 1. Visas korpasa detaļas turiet tālāk no griežņa asmens. Kad asmeņi kustas, neņemiet nost griešanas materiālu un neturiet griezamo materiālu. Izmērot iestrēgušu materiālu, pārliecinieties, ka slēdzis ir izslēgtā pozīcijā.** Dzīvžoga griezēja lietošanas laikā neuzmanīgs moments var izraisīt nopietnu personīgo traumu.
- 2. Dzīvžoga griezēju pārnēsājiet, turot aiz rokturu, ar griežņa asmeņiem apturētā pozīcijā.** Transportējot vai uzglabājot dzīvžoga griezēju, vienmēr uzlieciet griežņa ierīces apvalku. Atbilstoša dzīvžoga griezēja izmantošana samazinās griežņa asmeņu izraisīto iespējamo traumas risku.
- 3. Veicot darbu, turiet mehanizēto darbarīku tikai pie izolētajām satveršanas virsmām, jo griezējasmens var saskarties ar aplēptu elektroinstalāciju.** Ja griezējasmens saskaras ar vadu, kurā ir strāva, mehanizētā darbarīka ārējās metāla virsmas var vadīt strāvu un radīt elektriskās strāvas triecienu risku.
- 4. Dzīvžogu trimeri nelietojiet lietus laikā vai mitros un drēgnos apstākļos.** Elektrodzinējs nav ūdensizturīgs.
- 5. Pirmajā lietošanas reizē lietotājiem ir jāpieaicina pieredzējis dzīvžogu trimera lietotājs, lai parādītu, kā trimēris ir jālieto.**
- 6. Dzīvžoga griezēju nedrīkst izmantot bērni vai jaunieši, kas jaunāki par 18 gadiem. Jauniešus, kam ir vairāk par 16 gadiem, var neiekļaut šajā ierobežojumā, ja tie saņem apmācību speciālista uzraudzībā.**

- 7. Dzīvžoga griezēju lietojiet tikai, ja esat labā fiziskā stāvoklī. Ja esat noguris, jūsu uzmanība būs samazināta. Īpaši uzmanīgs esiet darba dienas beigās. Visus darbus veiciet mierīgi un uzmanīgi. Lietotājs ir atbildīgs par visiem bojājumiem trešajai pusei.**
- 8. Nekad nelietojiet griezēju alkohola, narkotiku vai medikamentu ietekmē.**
- 9. Dzīvžoga griezēja pamata aprīkojumā ir ietverti izturīgas ādas darba cimdi, un darbarīka lietošanas laikā tos ir jānēsā vienmēr. Nēsājiet arī stingrus apavus ar neslīdošu zoli.**
- 10. Pirms darba uzsākšanas pārbaudiet, lai pārliecinātos, ka griezējs ir labā un drošā darba kārtībā. Nodrošiniet, lai aizsargi ir uzstādīti atbilstoši. Ja dzīvžoga griezējs nav pilnībā aprīkots, to nedrīkst lietot.**
- 11. Pirms darba uzsākšanas pārliecinieties, ka jums ir drošs atbalsts.**
- 12. Turiet darbarīku stingri tā lietošanas laikā.**
- 13. Lieki nedarbiniet darbarīku bez slodzes.**
- 14. Ja grieznis saskaras ar sētu vai citu cietu priekšmetu, nekavējoties izslēdziet motoru un izņemiet akumulatora kasetni. Pārbaudiet, vai griezņim nav bojājumu, un, ja tas ir bojāts, nekavējoties salabojiet to.**
- 15. Pirms griežņa pārbaudīšanas, bojājumu labošanas vai griezni iesprūdušo materiālu izņemšanas vienmēr izslēdziet griezēju un izņemiet akumulatora kasetni.**
- 16. Pirms veikt tehnisko apkopi, izslēdziet griezēju un izņemiet akumulatora kasetni.**
- 17. Izņemiet akumulatora kasetni un uz griežņa asmens uzlieciet asmens apvalku vienmēr, kad dzīvžoga griezējs tiek pārvietots uz citu vietu, arī darba laikā. Nekad nenesiet un netransportējiet griezēju ar darbojošos griežņa asmeņi. Griezni nekad nedrīkst satvert ar rokām.**
- 18. Pēc griežņa lietošanas un novietošanas glabāšanā uz ilgāku laiku periodu vienmēr izslēdziet griezni. Nedaudz ieeļļojiet griezni un uzlieciet apvalku. Ierīces komplektā ietvertu apvalku var pakārt pie sienas, nodrošinot drošu un praktisku dzīvžoga griezēja uzglabāšanu.**
- 19. Dzīvžoga griezēju glabājiet ar uzliktu apvalku un sausā telpā. Turiet to bērniem nepieejamā vietā. Nekad griezēju neglabājiet ārā.**

SAGLABĀJIET ŠOS NORĀDĪJUMUS.

▲BRĪDINĀJUMS: NEZAUDĒJIET modrību darbarīka lietošanas laikā (tas var gadīties pēc darbarīka daudzkārtējas izmantošanas), rūpīgi ievērojiet urbsšanas drošības noteikumus šim izstrādājumam. NEPAREIZAS LIETOŠANAS vai šīs rokasgrāmatas drošības noteikumu neievērošanas gadījumā var gūt smagas traumas.

AKUMULATORA LIETOŠANAI

1. Pirms akumulatora lietošanas izlasiet visus norādījumus un brīdinājumus, kuri attiecas uz (1) akumulatora lādētāju, (2) akumulatoru un (3) ierīci, kurā tiek izmantots akumulators.
2. Neizjauciet akumulatoru.
3. Ja akumulatora darbības laiks kļūva ievērojami īsāks, nekavējoties pārtrauciet to izmantot. Citādi, tas var izraisīt pārkarsējumu, uzliesmojumu vai pat sprādzienu.
4. Ja elektrolīts nonāk acīs, izskalojiet tās ar tīru ūdens un nekavējoties griežieties pie ārsta. Tas var izraisīt redzes zaudēšanu.
5. Neradiet īssavienojumu akumulatora kasetnē:
 - (1) Neskarieties pie termināliem ar jebkāda veida vadītspējīgiem materiāliem.
 - (2) Neuzglabājiet akumulatoru kasetni kopā ar citiem metāla priekšmetiem, tādiem kā naglas, monētas u.c.
 - (3) Nepakļaujiet akumulatora kasetni ūdens vai lietus iedarbībai.

Īssavienojums var radīt lielu strāvas plūsmu, pārkaršanu, var radīt apdegumus vai pat bojājumus.

6. Neuzglabājiet darbarīku un akumulatora kasetni vietās, kur temperatūra var sasniegt vai pārsniegt 50°C (122°F).
7. Nededziniet akumulatora kasetni, pat ja tā ir stipri bojāta vai pilnībā nolietota. Akumulatora kasetne ugunī var eksplodēt.
8. Uzmanieties, lai nejautu akumulatoram nokrist un nepakļautu to sitenam.
9. Neizmantojiet bojātu akumulatoru.
10. Ievērojiet vietējos noteikumus par akumulatora likvidēšanu.

SAGLABĀJIET ŠOS NORĀDĪJUMUS.

Ieteikumi akumulatora kalpošanas laika pagarināšanai

1. Uzlādējiet akumulatora kasetni pirms tā pilnīgi izlādējas.
Vienmēr, kad ievērojat, ka darbarīka darba jauda zudusi, apturiet darbarīku un uzlādējiet akumulatora kasetni.
2. Nekad neuzlādējiet pilnībā uzlādētu akumulatora kasetni.
Pārmērīga uzlāde saīsina akumulatora kalpošanas laiku.
3. Uzlādējiet akumulatora kasetni istabas temperatūrā 10°C - 40°C (50°F - 104°F). Karstai akumulatora kasetnei pirms uzlādes ļaujiet atdzist.
4. Uzlādējiet akumulatora kasetni reizi sešos mēnešos, ja to neizmantojat ilgu laiku.

FUNKCIJU APRAKSTS

⚠️UZMANĪBU:

- Pirms darbarīka regulēšanas vai tā darbības pārbaudes vienmēr pārliecinieties, ka darbarīks ir izslēgts un akumulatora kasetne ir izņemta.

Akumulatora kasetnes uzstādīšana un izņemšana

- **Att.1:** 1. Sarkans indikators 2. Poga 3. Akumulatora kasetne

⚠️UZMANĪBU:

- Vienmēr pirms akumulatora kasetnes uzstādīšanas vai noņemšanas izslēdziet darbarīku.
- **Uzstādot vai izņemot akumulatora kasetni, darbarīku un akumulatora kasetni turiet cieši.** Ja darbarīku un akumulatora kasetni netur cieši, tie var izkrist no rokām un radīt bojājumus darbarīkam un akumulatora kasetnei, kā arī izraisīt ievainojumus.

Lai izņemtu akumulatora kasetni, izvelciet to no darbarīka, pārbīdot kasetnes priekšpusē esošo pogu. Lai uzstādītu akumulatora kasetni, salāgojiet mēlīti uz akumulatora kasetnes ar rievu ietvarā un iebīdieliet to vietā. Bīdieliet to iekšā līdz klikšķim, kas nozīmē, ka tā ir pareizi uzstādīta. Ja pogas augšējā daļā ir redzams sarkans indikators, tas nozīmē, ka tā nav pilnīgi bloķēta.

⚠️UZMANĪBU:

- Vienmēr ievietojiet akumulatora kasetni tā, lai sarkanais indikators nebūtu redzams. Pretējā gadījumā tā var nejausi izkrist no darbarīka un radīt jums vai apkārtējiem ievainojumu.
- Neievietojiet akumulatora kasetni ar spēku. Ja kasetne neslīd ietvarā viegli, tā nav pareizi ielikta.

PIEZĪME:

- Darbarīks nedarbojas ar tikai vienu akumulatora kasetni.

Darbarīka/akumulatora aizsardzības sistēma

Darbarīks ir aprīkots ar darbarīka/akumulatora aizsardzības sistēmu. Šī sistēma automātiski izslēdz jaudas padevi motoram, lai pagarinātu darbarīka un akumulatora kalpošanas laiku.

Darbarīks automātiski pārstās darboties ekspluatācijas laikā, ja darbarīku vai akumulatoru pakļaus kādam no šiem apstākļiem. Dažu apstākļu gadījumā izgaismojas indikatori.

Aizsardzība pret pārslodzi

Ja darbarīku ekspluatācijas laikā lieto tādā veidā, ka tas saista pārmērīgu strāvu, darbarīks automātiski pārstāj darboties bez jebkādam norādēm. Šādā gadījumā izslēdziet darbarīku un pārtrauciet darbību, kas izraisīja darbarīka pārslodzi. Pēc tam ieslēdziet darbarīku un atsāciet darbu.

Aizsardzība pret darbarīka/ akumulatora pārkaršanu

Kad akumulators ir pārkaršis, darbarīks automātiski pārstāj darboties bez jebkādam norādēm. Darbarīks nesāk darboties pat pēc slēdža mēlītes nospiešanas. Šādā gadījumā ļaujiet darbarīkam/akumulatoram atdzist, pirms vēlreiz to ieslēgt.

PIEZĪME: Aizsardzība pret akumulatora pārkaršanu darbojas tikai ar akumulatora kasetni, kam ir zvaigznes marķējums.

► **Att.2:** 1. Zvaigznes emblēma

Aizsardzība pret akumulatora pārmērīgu izlādi

► **Att.3:** 1. Akumulatora indikators

Kad akumulatora atlikušā jauda ir zema, attiecīgā akumulatora pusē sāk mirgot akumulatora indikators. Ja darbarīku turpina lietot, tas pārstāj darboties, un apmēram 10 sekundes izgaismojas akumulatora indikators. Šādā gadījumā uzlādējiet akumulatora kasetni.

Roktura piestiprināšanas stāvokļi

UZMANĪBU:

- Pirms darbarīka izmantošanas vienmēr pārbaudiet, vai rokturis ir nobloķēts vēlamajā stāvoklī.

► **Att.4:** 1. Rokturis 2. Korpus

Atkarībā no veicamās darbības roktura leņķi var iestatīt 45° vai 90° stāvoklī pa kreisi vai pa labi. Lai pagrieztu rokturi, pavelciet kloķi un pagrieziet rokturi, kā parādīts attēlā. Rokturis ir nobloķēts 45° stāvoklī. Lai rokturi pagrieztu 90° stāvoklī, vēlreiz pavelciet kloķi un pagrieziet rokturi vairāk.

Slēdža darbība

UZMANĪBU:

- Pirms akumulatora kasetnes uzstādīšanas darbarīkā, vienmēr pārbaudiet, vai slēdža mēlīte darbojas pareizi un pēc atlaišanas atgriežas "OFF" (izslēgts) stāvoklī.

► **Att.5:** 1. B slēdža mēlīte 2. A slēdža mēlīte
3. Atbloķēšanas poga

Jūsu drošības nolūkos šim darbarīkam ir divu slēdžu sistēma. Lai iedarbinātu darbarīku, nospiediet bloķēšanas sviru un nospiediet slēdža mēlīti A un B. Lai izslēgtu, atlaidiet kādu no slēdža mēlītēm. Darbarīku var iedarbināt, tikai nospiežot abas slēdža mēlītes.

Ātruma regulēšana

► **Att.6:** 1. Regulēšanas ciparripa

Maksimālo gājienu skaitu minūtē var noregulēt, tikai pagriežot ātruma regulēšanas ciparripu. To iespējams paveikt pat tad, ja darbarīks darbojas. Uz ciparripas ir atzīmes no 1 (zemākais ātrums) līdz 6 (maksimālais ātrums).

Saistību starp cipara iestatījumu uz regulēšanas ciparripas un gājienu skaitu minūtē skatiet šajā tabulā.

Cipars uz regulēšanas ciparripas	Gājienu skaits minūtē (min ⁻¹)
6	1 800
5	1 750
4	1 650
3	1 500
2	1 300
1	1 000

UZMANĪBU:

- Ātruma regulēšanas skala var tikt griezta tikai no 1 līdz 6. Nemēģiniet ar spēku to pagriezt tālāk, tā varat sabojāt instrumentu.
- Gājienu skaits minūtē ir atšķirīgs atkarībā no akumulatora kasetnes un šķēru asmens stāvokļa.

EKSPLUATĀCIJA

UZMANĪBU:

- Griešanas laikā esiet uzmanīgs un nepieskarieties netīšām metāla sētai vai citiem cietiem priekšmetiem. Asmens salūzīs un var radīt nopietnu traumu.
- Stiešanās pāri kaut kam ar dzīvzogu griezēju, it īpaši no kāpnēm, ir ļoti bīstama. Neveiciet darbu no jebkā, kas ir nestabils un nestiprs.

IEVĒRĪBAI: Ar šo darbarīku **nemēģiniet nogriezt zarus, kuru diametrs pārsniedz 10 mm.** Pirms darbarīka izmantošanas vispirms ar zaru šķērēm nogrieziet zarus 10 cm zemāk nekā griešanas augstums.

► **Att.7:** (1) Griešanas augstums (2) 10 cm

UZMANĪBU:

- Negrieziet sausus kokus (kas vairs neaug) vai līdzīgus cietus priekšmetus. Šis norādes neievērošana var sabojāt darbarīku.

► **Att.8**

Turiet griezēju ar abām rokām, pavelciet A un B slēdža mēlītes un pārvietojiet griezēju ķermeņa priekšā.

► **Att.9:** 1. Griešanas virziens 2. Griezamā dzīvzoga virsma 3. Nolieciet asmeņus.

Kā pamatdarbību nolieciet asmeņus griezēja virzienā un pārvietojiet tos lēnām un mierīgi ar ātrumu 3–4 sekundes metrā.

► **Att.10**

Lai dzīvzoga augšējo daļu nogrieztu vienmērīgi, palīdz tas, ja tiek piesieta aukla vēlamajā dzīvzoga augstumā, un griezumam tiek izdarīts gar to, izmantojot līniju kā norādi.

► **Att.11**

Griežot dzīvzogu taisni, atgriezumu savācēja (izvēles palīgierīce) pievienošana darbarīkam var novērst nogrieztu lapu aizpūšanu prom.

Šķēru asmeņu noņemšana

Apgrīziet darbarīku otrādāk un atskrūvējiet četras skrūves.

► **Att.18:** 1. Asmens aizsargs 2. Skrūves

PIEZĪME:

- Esiet uzmanīgs, lai nenosmērētu rokas, tā kā smērviela ir uzklāta šķēru asmens pārvaldmehānismā vietā.

Noņemiet apakšējo apvalku.

► **Att.19:** 1. Apakšējais aizsargs 2. Asmens aizsargs 3. Skrūves

Noņemiet plāksni.

► **Att.20:** 1. Plāksne

Izmantojot rievās skrūvgriezi, uzstādiat kloķvārpstu tādā leņķī, kā parādīts attēlā.

► **Att.21:** 1. Kloķvārpsta

Noņemiet divas skrūves no šķēru asmeņiem un izņemiet šķēru asmeni, līdz tas pilnībā ir ārā.

► **Att.22:** 1. Skrūves 2. Šķēru asmens

⚠ UZMANĪBU:

- Uzstādiat zobratu sākotnējā pozīcijā tādā veidā, kā tas bija uzstādīts pirms noņemšanas.

Šķēru asmens uzstādīšana

Sagatavojiet 4 noņemtās skrūves (apakšējām apvalkam), 2 skrūves (šķēru asmeņim), plāksni, apakšējo apvalku un jaunus šķēru asmeņus.

Kloķvārpstas pozīciju pielāgojiet tā, kā norādīts attēlā. Šīs darbības laikā uz kloķvārpstas perifērijas uzlieciat nedaudz smērvielas, kas nodrošināta kopā ar šķēru asmeņiem.

► **Att.23:** 1. Kloķvārpsta

Pārklājiet ovālo atveri augšējā asmenī ar to, kas atrodas apakšējā.

► **Att.24:** 1. Šķēru asmens ovālā atverē

Izņemiet asmeņu apvalku no vecajiem šķēru asmeņiem un uzlieciat to jaunajiem vieglākai darba izpildei asmeņu nomainīšanas laikā.

► **Att.25**

Novietojiet jaunus šķēru asmeņus uz darbarīka tā, lai ovālās atveres šķēru asmeņos iegūlas kloķvārpstā.

Pārklājiet atveres šķēru asmeņos ar skrūvju atverēm darbarīkā un pēc tam nostipriniet tos ar skrūvēm.

► **Att.26:** 1. Šķēru asmens ovālā atverē 2. Kloķvārpsta 3. Skrūves

Ar rievās skrūvgriezi pārbaudiet, vai kloķvārpsta griežas bez traucējumiem.

► **Att.27:** 1. Kloķvārpsta

Darbarīkam uzstādiat plāksni un apakšējo apvalku. Skrūvi pievelciat cieši.

PIEZĪME:

- Plāksnes augšpuse un apakšpuse ir vienādas.

Noņemiet asmeņu apvalku un pagrieziat darbarīku, lai pārbaudītu, vai tas kustas atbilstoši.

PIEZĪME:

- Kad šķēru asmeņi nedarbojas atbilstoši, starp asmeņiem un kloķvārpstu ir nepietiekama sēža. Veiciet atkārtoti visu no sākuma.

Ogles suku nomaņa

► **Att.28:** 1. Robežas atzīme

Regulāri izņemiet un pārbaudiet ogles sukās. Kad ogles sukās ir nolietotušās līdz robežas atzīmei, nomainiet tās. Turiet ogles sukās tīras un pārbaudiet, vai tās var brīvi ieiet turekļos. Abas ogles sukās ir jānomaina vienlaikus. Izmantojiet tikai identiskas ogles sukās.

► **Att.29:** 1. Turekļa vāka aizsargs 2. Rievās skrūvgriezis

Ievietojiet rievās skrūvgrieža augšgalu darbarīka ierobā un noņemiet turekļa vāka aizsargu, paceļot to uz augšu.

► **Att.30:** 1. Sukas turekļa vāks 2. Rievās skrūvgriezis

Ar rievās skrūvgriezi noskrūvējiet sukās turekļa vāciņus. Izņemiet nolietotušās ogles sukās, ievietojiet jaunās un nostipriniet sukās turekļa vāciņus.

Uzlieciat turekļa vāka aizsargu atpakaļ uz darbarīka.

Glabāšana

Āķa atvere asmeņu apvalka apakšējā daļā ir ērti piemērota darbarīka pakāršanai pie sienas uz naglas vai skrūves.

► **Att.31**

Izņemiet akumulatora kasetni un novietojiet asmeņu apvalku uz šķēru asmeņiem tā, lai asmeņi netiek pakļauti nekādai iedarbībai. Darbarīku rūpīgi glabājiet bērniem nepieejamā vietā.

Darbarīku glabājiet tādā vietā, kas netiek pakļauta ūdenim un lietum.

Lai saglabātu produkta DROŠU un UZTICAMU darbību, remontdarbus, apkopi un regulēšanu uzticiet veikt tikai Makita pilnvarotam apkopes centram un vienmēr izmantojiet tikai Makita rezerves daļas.

PAPILDU PIEDERUMI

⚠ UZMANĪBU:

- Šādi piederumi un rīki tiek ieteikti lietošanai ar šajā pamācībā aprakstīto Makita instrumentu. Jebkādu citu piederumu un rīku izmantošana var radīt traumu briesmas. Piederumu vai rīku izmantojiet tikai tā paredzētajam mērķim.

Ja jums vajadzīga palīdzība vai precīzāka informācija par šiem piederumiem, vērsieties savā tuvākajā Makita apkopes centrā.

- Asmens aizsargs
- Šķēru asmens montējums
- Makita oriģinālais akumulators un lādētājs
- Atgriezumam savācējs

PIEZĪME:

- Daži sarakstā norādītie izstrādājumi var būt iekļauti instrumenta komplektācijā kā standarta piederumi. Tie dažādās valstīs var būt atšķirīgi.

SPECIFIKACIJOS

Modelis	DUH551	DUH651
Peiliio ilgis	550 mm	650 mm
Pjovimo judesiai per minutę (min ⁻¹)	1 000 - 1 800	
Bendras ilgis	1 065 mm	1 135 mm
Nominali įtampa	Nuol. sr. 36 V	
Neto svoris	5,1 kg	5,2 kg

- Atliekame nepertraukiamus tyrimus ir nuolatos tobuliname savo gaminius, todėl čia pateikiamos specifikacijos gali būti keičiamos be įspėjimo.
- Specifikacijos ir akumuliatorių kasetės įvairiose šalyse gali skirtis.
- Svoris su akumuliatoriaus kasete pagal Europos elektrinių įrankių asociacijos metodiką „EPTA-Procedure 01/2003“

Triukšmas	Garso slėgio lygis		Garso galios lygis		Taikytinas standartas arba direktyva
	L _{PA} (dB(A))	Paklaida K (dB(A))	L _{PA} (dB(A))	Paklaida K (dB(A))	
Modelis					
DUH551	81,5	2,1	91	1,5	2000/14/EC
DUH651	82	1,4	91,1	1,5	

- Naudokite ausų apsaugos priemones.

Vibracija	Deklaruotoji emisija (m/s ²)	Paklaida K (m/s ²)	Taikytinas standartas arba direktyva
Modelis			
DUH551 / DUH651	≤ 2,5	1,5	EN60745

PASTABA: Paskelbtasis vibracijos emisijos dydis nustatytas pagal standartinį testavimo metodą ir jį galima naudoti vienam įrankiui palyginti su kitu.

PASTABA: Paskelbtasis vibracijos emisijos dydis taip pat gali būti naudojamas preliminariai įvertinti vibracijos poveikį.

⚠️ ĮSPĖJIMAS: Faktiškai naudojant elektrinį įrankį, keliamos vibracijos dydis gali skirtis nuo paskelbtojo dydžio, priklausomai nuo būdų, kuriais yra naudojamas šis įrankis.

⚠️ ĮSPĖJIMAS: Siekiant apsaugoti operatorių, būtina įvertinkite saugos priemones, remdamiesi vibracijos poveikio įvertinimu esant faktinėms naudojimo sąlygoms (atsižvelgdami į visas darbo ciklo dalis, pavyzdžiui, ne tik kiek laiko įrankis veikia, bet ir kiek kartų jis yra išjungiamas bei kai jis veikia be apkrovų).



Tiktai ES valstybėms
Neišmeskite elektros įrangos arba akumuliatoriaus bloko į buitinius šiukšlynus!
Atsižvelgiant į ES direktyvas dėl elektros ir elektroninės įrangos atliekų ir dėl baterijų ir akumuliatorių bei baterijų ir akumuliatorių atliekų ir šių direktyvų siekių įgyvendinimą pagal nacionalinius įstatymus, elektros įrangos ir baterijų bei akumuliatorių atliekas būtina surinkti atskirai nuo kitų buitinių atliekų ir atiduoti antrinių žaliavų perdirbimo aplinkai nekenksmingu būdu punktą.

Paskirtis

Šis įrankis skirtas gyvatvorėms apkirpti.

Tik Europos šalims

ES atitikties deklaracija

Mes, „Makita Corporation“ bendrovė, būdami atsakingas gamintojas, pareiškiame, kad šis „Makita“ mechanizmas(-ai):

Mechanizmo paskirtis:
Akumuliatorinės gyvatvorėjų žirkklės
Modelio Nr./ tipas: DUH551, DUH651
Techninės sąlygos: Žr. Lentelę „SPECIFIKACIJOS“.

priklauso serijinei gamybai ir
Atitinka šias Europos direktyvas:
2000/14/EB, 2006/42/EB

Ir yra pagamintas pagal šiuos standartus arba normatyvinius dokumentus:
EN60745

Techninė dokumentacija saugoma:
Makita International Europe Ltd.
Technical Department,
Michigan Drive, Tongwell,
Milton Keynes, Bucks MK15 8JD, England (Anglija)

Simbolis

Žemiau yra nurodyti įrangai naudojami simboliai. Prieš naudodami įsitinkite, kad suprantate jų reikšmę.

	Skaitykite naudojimo instrukciją.
	Saugokite įrankį nuo lietaus.

Atitikties įvertinimo procedūra, būtina pagal Tarybos Direktyvą 2000/14/EB, atlikta atsižvelgiant į V priedą. Modelis DUH551

Nustatytasis garso galios lygis: 91,0 dB (A)
Garantuotasis garso galios lygis: 93 dB (A)

Modelis DUH651

Nustatytasis garso galios lygis: 91,1 dB (A)
Garantuotasis garso galios lygis: 93 dB (A)

8.8.2013



Tomoyasu Kato
Direktorius

Makita Corporation
3-11-8, Sumiyoshi-cho,
Anjo, Aichi, 446-8502, JAPAN (Japonija)

Bendrieji perspėjimai darbui su elektriniais įrankiais

⚠️ ĮSPĖJIMAS Perskaitykite visus saugos įspėjimus ir instrukcijas. Nesilaikydami žemiau pateiktų įspėjimų ir instrukcijų galite patirti elektros smūgį, gaisrą ir/arba sunkų sužeidimą.

Išsaugokite visus įspėjimus ir instrukcijas, kad galėtumėte jas peržiūrėti ateityje.

SAUGOS ĮSPĖJIMAI DĖL AKUMULIATORINIŲ GYVATVORIŲ ŽIRKLIŲ NAUDOJIMO

1. Laikykite kūno dalis toliau nuo pjautuvo peilio. Nebandykite šalinti nupjautas šakas ar laikyti pjaunamas šakas peiliui judant. Prieš išimdami įstrigusias nuopjovas, būtinai išjunkite jungiklį. Dirbant gyvatvorių žirkklėmis užtenka vienos neatidomai akimirkos ir galima rimtai susižeisti.
2. Gyvatvorių žirkles neškite už rankenos, prieš tai sustabdę pjautuvo peilį. Transportuodami ar sandėliuodami gyvatvorės žirkles visada užmaukite pjautuvo peilio apvalkalą. Tinkamas elgesys su gyvatvorės žirkklėmis sumažins susižeidimo pavojaus peiliu tikimybę.
3. Laikykite elektrinį įrankį tik už izoliuotų, laikymui skirtų vietų, nes pjovimo peilis gali užkliudyti nematomus laidus. Pjovimo peiliams įpjovus „gyvą“ laidą, įtampa gali būti perduota neizoliuotoms metalinėms elektrinio įrankio dalims ir operatorius gali gauti elektros smūgį.
4. Nenaudokite gyvatvorės žirklių lietuje ir šlapiomis arba labai drėgnomis sąlygomis. Elektros variklis nėra apsaugotas nuo vandens.
5. Pradedantieji vartotojai turi paprašyti patyrusių gyvatvorės žirklių vartotojų parodyti kaip naudojamos žirkklės.
6. Gyvatvorės žirklių neleidžiama naudoti vaikams ir asmenims, jaunesniems nei 18 metų. Jauniems asmenims (bet vyresniems nei 16) gali būti taikoma išimtis, jei jie yra mokomi dirbti žirkklėmis, prižiūrint specialistui.

7. Naudokite gyvatvorės žirkles tik būdami geros fizinės būklės. Jei esate pavargę, jūsų dėmesys bus sumažėjęs. Ypačingai atsargiai dirbkite darbo dienos pabaigoje. Visus darbus atlikite ramiai ir atidžiai. Vartotojas atsakingas už visą žalą, padarytą trečiajam pusei.
8. Niekada nenaudokite žirklių apsvaigę nuo alkoholio, narkotinių medžiagų ar vaistų.
9. Darbinės storos odos pirštinės yra viena pagrindinių gyvatvorės žirklių įrangos dalių ir jas reikia mūvėti viso darbo gyvatvorės žirkklėmis metu. Taip pat avėkite tvirtus batus su neslystančiais padais.
10. Prieš pradėdami darbą, įsitikinkite, kad žirkles yra geros, saugiam darbui tinkamos būklės. Įsitikinkite, kad apsaugos yra tinkamai pritvirtintos. Gyvatvorių žirkles galima naudoti tik visiškai sukomplektuotas.
11. Prieš pradėdami darbą, įsitikinkite, kad tvirtai stovite.
12. Darbo metu įrankį laikykite tvirtai.
13. Be reikalo nenaudokite įrankio be apkrovos.
14. Žirkklėms užkabinus tvorą ar kitą daiktą, nedelsiant išjunkite variklį ir ištraukite akumuliatoriaus kasetę. Patikrinkite, ar nepažeistos žirkklės, ir nedelsiant taisykite, jei pastebite pažeidimų.
15. Prieš tikrindami žirkles, taisydami gedimus ar šalindami nuopjovas, visada išjunkite žirkles ir ištraukite akumuliatoriaus kasetę.
16. Prieš atlikdami bet kokius techninės priežiūros ar remonto darbus, išjunkite žirkles ir ištraukite akumuliatoriaus kasetę.
17. Pernešdami gyvatvorių žirkles į kitą vietą, taip pat ir darbo metu, visada ištraukite akumuliatoriaus kasetę ir uždėkite ant pjovimo peilių apsauginį peilių gaubtą. Niekada neneškite ir nevežkite žirklių su veikiančiu pjautuvu. Niekada neimkite pjautuvo rankomis.
18. Po naudojimo ir padėdami saugoti ilgesniam laikotarpiui išvalykite gyvatvorės žirkles, ypač pjautuvą. Pjautuvą sutepkite alyva ir užmaukite apvalkalą. Kartu su įrenginiu pateiktą apvalkalą galima pakabinti ant sienos — tai saugus ir praktiškas būdas gyvatvorės žirkklėms saugoti.
19. Gyvatvorės žirkles saugokite sausoje patalpoje su užmautu apvalkalu. Saugokite nuo vaikų. Niekada nelaikykite žirklių lauke.

SAUGOKITE ŠIAS INSTRUKCIJAS.

⚠️ ĮSPĖJIMAS: NELEISKITE, kad patogumas ir gaminio pažinimas (igyjamas pakartotinai naudojant) susilpnintų griežtą saugos taisyklių, taikytinų šiam gaminiui, laikymąsi. Dėl NETINKAMO NAUDOJIMO arba saugos taisyklių nesilaikymo, kurios pateiktos šioje instrukcijoje galima rimtai susižeisti.

SVARBIOS SAUGOS INSTRUKCIJOS

AKUMULIATORIAUS KASETEI

1. Prieš naudodami akumulatoriaus kasetę, perskaitykite visas instrukcijas ir perspėjimus ant (1) akumuliatorių kroviklio, (2) akumuliatorių ir (3) akumuliatorių naudojančio gaminio.
2. Neardykite akumulatoriaus kasetės.
3. Jei įrankio darbo laikas žymiai sutrumpėjo, nedelsdami nutraukite darbą su įrankiu. Tai kelia perkaitimo, nudegimų ar net sproginimo pavojų.
4. Jei elektrolitas pateko į akis, plaukite jas tyru vandeniu ir nedelsdami kreipkitės į gydytoją. Yra regėjimo praradimo pavojus.
5. Neužtrumpinkite akumulatoriaus kasetės:
 - (1) Kontaktų nelieskite jokiomis elektra laidžiomis medžiagomis.
 - (2) Venkite laikyti akumulatoriaus kasetę kartu su kitais metaliniais daiktais, pavyzdžiui, vinimis, monetomis ir .t. t..
 - (3) Saugokite akumulatoriaus kasetę nuo vandens ir lietaus.Trumpasis jungimas akumulatoriuje gali sukelti stiprią srovę, perkaitimą, galimus nudegimus ar net akumulatoriaus gedimą.
6. Nelaikykite įrankio ir akumulatoriaus kasetės vietose, kur temperatūra gali pasiekti ar viršyti 50°C (122°F).
7. Nedeginkite akumulatoriaus kasetės, net jei yra stipriai pažeista ar visiškai susidėvėjusi. Ugnyje akumulatoriaus kasetė gali sprogti.
8. Saugokite akumuliatorių nuo kritimo ir smūgių.
9. Nenaudokite pažeisto akumulatoriaus.
10. Vadovaukitės vietos įstatymais dėl akumuliatorių išmetimo.

SAUGOKITE ŠIAS INSTRUKCIJAS.

Patarimai, ką daryti, kad akumulatorius tarnautų kuo ilgiau

1. Kraukite akumulatoriaus kasetę prieš jai visiškai išsikraunant. Visuomet nustokite naudoti įrankį ir kraukite akumulatoriaus kasetę, kai pastebite sumažėjusią įrankio galią.
2. Niekada nekraukite iki galo įkrautos akumulatoriaus kasetės. Per didelis įkrovimas trumpina akumulatoriaus eksploatacijos laiką.
3. Kraukite akumulatoriaus kasetę kambario temperatūroje 10°C - 40°C (50°F - 104°F). Prieš kraudami leiskite atvėsti karštai akumulatoriaus kasetei.
4. Įkraukite akumulatoriaus kasetę kas šešis mėnesius, kai jos ilgai nenaudojate.

VEIKIMO APRAŠYMAS

▲ PERSPĖJIMAS:

- Prieš reguliuodami įrenginį arba tikrindami jo veikimą visada patikrinkite, ar įrenginys išjungtas, o akumuliatorių kasetė - nuimta.

Akumulatoriaus kasetės uždėjimas ir nuėmimas

- Pav.1: 1. Raudonas indikatorius 2. Mygtukas 3. Akumulatoriaus kasetė

▲ PERSPĖJIMAS:

- Prieš įdėdami arba išimdami akumulatoriaus kasetę, visada išjunkite įrankį.
- Įdėdami arba išimdami akumulatoriaus kasetę, tvirtai laikykite įrankį ir akumulatoriaus kasetę. Jeigu įrankį ir akumulatoriaus kasetę laikysite netvirtai, jie gali išskysti iš jūsų rankų ir sąlygoti įrankio bei akumulatoriaus kasetės gedimą ir vartotojo sužalojimą.

Jei norite išimti akumulatoriaus kasetę, ištraukite ją iš įrankio, stumdami mygtuką, esantį kasetės priekyje. Jeigu norite įdėti akumulatoriaus kasetę, sutapdinkite liežuvelį ant akumulatoriaus kasetės su groveliu korpuso ir įstumkite į skirtą vietą. Įdėkite iki galo, kol spragtelėdama užsifiksuos. Jeigu matote raudoną indikatorius viršutinėje mygtuko pusėje, ji nėra visiškai užfiksuota.

▲ PERSPĖJIMAS:

- Akumulatoriaus kasetę visada įkiškite iki galo, kol nebematysite raudono indikatoriaus. Priešingu atveju ji gali atstiktinai iškristi iš įrankio, sužeisti jus ar aplinkinius.
- Nekiškite akumulatoriaus kasetės jėga. Jeigu kasetė sunkiai lenda, ji kišama netinkamai.

PASTABA:

- Įrankis neveikia tik su viena akumulatoriaus kasete.

Įrankio / akumulatoriaus apsaugos sistema

Įrankyje įrengta įrankio / akumulatoriaus apsaugos sistema. Ši sistema automatiškai atjungia variklio maitinimą, kad įrankis ir akumulatorius ilgiau tarnautų. Įrankis automatiškai išsijungs darbo metu esant vienai iš toliau nurodytų įrankio arba akumulatoriaus darbo sąlygų. Esant tam tikroms sąlygoms užsideda indikatoriai.

Apsauga nuo perkrovos

Kai įrankis naudojamas taip, kad neįprastai padidėja elektros srovė, įrankis automatiškai išsijungia be jokių indikatorius įspėjimų. Tokiu atveju išjunkite įrankį ir nutraukite darbą, dėl kurio kilo įrankio perkrova. Po to įjunkite įrankį ir vėl tęskite darbą.

Įrankio / akumulatoriaus apsauga nuo perkaitimo

Įrankiui / akumulatoriui perkaitus, įrankis automatiškai išsijungia be jokių indikatorių įspėjimų. Įrankis neįsijungia net ir paspaudus jungiklį. Tokiu atveju palaukite, kol įrankis / akumulatorius atvės, paskui vėl įjunkite įrankį.

PASTABA: Akumulatoriaus apsaugos nuo perkaitimo funkcija veikia tik tada, jei naudojama žvaigždute paženklinata akumulatoriaus kasetė.

► **Pav.2:** 1. Žvaigždutės ženklas

Apsauga nuo visiško išsikrovimo

► **Pav.3:** 1. Akumulatoriaus indikatorius

Kai įrankio akumulatorius beveik išsikrauna, atitinkamo akumulatoriaus pusėje pradeda žybcioti akumulatoriaus indikatorius. Toliau naudojant įrankį, jis išsijungia ir užsideda akumulatoriaus indikatorius, kuris šviečia maždaug 10 sekundžių. Tokiu atveju įkraukite akumulatoriaus kasetę.

Rankenos montavimo padėtyš

▲ PERSPĖJIMAS:

- Prieš pradėdami darbą, visada įsitinkinkite, ar rankena užfiksuota norimoje padėtyje.

► **Pav.4:** 1. Rankenėlė 2. Korpusas

Atsižvelgiant į atliekamus darbus, rankeną galima nustatyti 45° arba 90° kampo padėtyje kairėje arba dešinėje pusėje. Norėdami pasukti rankeną, patraukite rankenėlę ir sukite rankeną, kaip pavaizduota paveikslėlyje. Rankena yra užfiksuota 45° kampo padėtyje. Norėdami pasukti rankeną į 90° kampo padėtį, vėl patraukite rankenėlę ir labiau pasukite rankeną.

Jungiklio veikimas

▲ PERSPĖJIMAS:

- Prieš dėdami akumulatoriaus kasetę į įrankį, visuomet patikrinkite, kad jungiklio mygtukas gerai veiktų ir atleistas grįžtų į padėtį „OFF“.

► **Pav.5:** 1. Gaidukas B 2. Gaidukas A 3. Atlaisvinimo mygtukas

Jūsų saugumui šiame įrankyje įrengta dvigubo įjungimo sistema. Norėdami įrankį įjungti, paspauskite atlaisvinimo mygtuką bei jungiklius A ir B. Norėdami išjungti, atleiskite bet kurį vieną iš dviejų nuspaustų jungiklių. Įrankis pasileidžia tik tada, kai spaudžiami abu jungikliai.

Greičio keitimas

► **Pav.6:** 1. Reguliavimo ratukas

Mostus per minutę galima reguliuoti tiesiog sukant reguliavimo ratuką. Tai galima daryti ir įrankiui veikiant. Ratukas sužymėtas nuo 1 (mažiausias greitis) iki 6 (didžiausias greitis).

Toliau esančioje lentelėje pateiktas santykis tarp sunumeruotų, ant reguliavimo ratuko esančių nuostatų ir mostų per minutę.

Skaiciai ant reguliavimo ratuko	Pjovimo judesiai per minutę (min ⁻¹)
6	1 800
5	1 750
4	1 650
3	1 500
2	1 300
1	1 000

▲ PERSPĖJIMAS:

- Greičio reguliavimo diską galima sukuti tik iki 6 ir atgal iki 1. Nesukite jo toliau, nes gali sutrikti greičio reguliavimo funkcija.
- Mostai per minutę priklauso nuo akumulatoriaus kasetės ir karpymo peilių darbo sąlygų.

NAUDOJIMAS

▲ PERSPĖJIMAS:

- Kirpdami saugokitės, kad neužkabintumėte peiliu metalinės tvoros ar kito kieto daikto. Geležtė gali nulūžti ir stipriai sužeisti.
- Nepaprastai pavojinga gyvatvorės žirklemis užsimoti per toli, ypač nuo kopėčių. Nedirbkite stovėdami ant netvirto ar svyruojančio pagrindo.

PASTABA: Nebandykite šiuo įrankiu pjauti šakelių, storesnių kaip 10 mm. Šakų karpymo žirklemis nukarpykite šakeles iki 10 cm žemiau pjovimo aukščio, tik tuomet naudokite šį įrankį.

► **Pav.7:** (1) Pjovimo aukštis (2) 10 cm

▲ PERSPĖJIMAS:

- Nepjaukite sudžiūvusių šakų ar panašių kietų daiktų. Kitaip galite sugadinti šį įrankį.

► **Pav.8**

Laikykite karpymo prietaisą abiem rankomis ir nuspauskite jungiklius A ar B, paskui judinkite jį priešais save.

► **Pav.9:** 1. Kirpimo kryptis 2. Aperkamas gyvatvorės paviršius 3. Pakreipkite peilius.

Paprasčiausias veiksmas yra pakreipti peilį pjovimo kryptimi ir ramiai ir lėtai jį judinti, įveikiant metrą per 3 - 4 sekundes.

► **Pav.10**

Kad tiesiai nupjautumėte gyvatvorės viršų, lengviau reikiame aukštyje prižiūrėti virvę ir naudoti ją kaip atskaitos liniją.

► **Pav.11**

Karpant tiesią gyvatvorę pritvirtinus prie įrankio skiedrų gaudyklę (papildomą priedą), galima išvengti nupjautų lapų svaidymo.

► **Pav.12**

Prieš pradėdami darbą, pasukite rankeną, kad jums būtų patogiu. Žr. skyrių „Rankenos montavimo padėtis“ Kad tolygiai apipjautumėte gyvatvorės šonus, lengviau pjauti iš apačios į viršų.

► Pav.13

Buksmedžius ir rododendrus apkarpykite nuo pagrindo į viršų, kad pasiektumėte gerų rezultatų.

Skiedrų gaudyklės (pasirenkamo priedo) uždėjimas ir nuėmimas

PERSPĖJIMAS:

- Prieš montuodami arba nuimdami skiedrų gaudyklę, visada patikrinkite, ar įrankis išjungtas, o akumuliatoriaus kasetė išimta.

PASTABA:

- Keisdami skiedrų gaudyklę, visada mūvėkite pirštines, kad rankos ir veidas tiesiogiai neprisiliestų prie peilio. Kitaip galite susižeisti.
- Prieš įstatydami skiedrų gaudyklę, visada nuimkite peilio gaubtą.
- Skiedrų gaudyklę gauda nupjautus lapus ir palengvina jų surinkimą. Ją galima uždėti bet kurioje įrankio pusėje.

► Pav.14: 1. Spausti 2. Skiedrų gaudyklė 3. Veržlė 4. Kirpimo peilis

Spauskite skiedrų gaudyklę ant kirpimo peilių, kad gaudyklės plyšiai sutaptų su kirpimo peilių varžtais. Šiuo metu įsitikinkite, kad skiedrų gaudyklė neliečia šakelių kreiptuvo kirpimo peilių viršūje.

► Pav.15: 1. Veržlė 2. Šakų kreiptuvas

Dabar reikia taip įstatyti skiedrų gaudyklę, kad jos kabliukai įšoktų į griovelius kirpimo peilių mazge.

► Pav.16: 1. Kablys 2. Įstatykite kabliukus į griovelį 3. Grioveliai

Jei norite nuimti skiedrų gaudyklę, paspauskite jos svirtį abiejose pusėse, kad atpalaiduotumėte kabliukus.

► Pav.17: 1. Spauskite svirtelės abiejose pusėse 2. Atkabinkite kabliukus

PERSPĖJIMAS:

- Peilio gaubto negalima sumontuoti ant įrankio su sumontuota skiedrų gaudykle. Prieš nešdami arba padėdami saugojimui, nuimkite skiedrų gaudyklę, o paskui sumontuokite peilio gaubtą, kad peilis būtų apsaugotas.

PASTABA:

- Prieš naudodami, patikrinkite, ar saugiai uždėjote skiedrų gaudyklę.
- Niekada nebandykite nuimti skiedrų gaudyklės jėga, jos kabliukams esant įkabintiems peilio mazgo grioveluose. Naudodami jėgą galite ją sugadinti.

TECHNINĖ PRIEŽIŪRA

PERSPĖJIMAS:

- Visuomet įsitikinkite, kad įrankis yra išjungtas ir akumuliatoriaus kasetė yra nuimta prieš atliekant apžiūrą ir priežiūrą.
- Niekada nenaudokite gazolino, benzino, tirpiklio, spirito arba panašių medžiagų. Gali atsirasti išblukimų, deformacijų arba įtrūkimų.

Įrankio valymas

Nuvalykite nuo įrankio dulkes sausu ar muilinu vandeniu sumirkytu skuduru.

Peilio techninė priežiūra

Sutepkite peilį prieš darbą ir kas valandą darbo metu mašinine alyva ar panašiais tepalais.

PASTABA:

- Prieš patepdami peilį, nuimkite skiedrų gaudyklę.

Po darbo vieliniu šepetiu išvalykite dulkes iš abiejų peilio pusių, nuvalykite jį skudurėliu, o paskui patepkite pakankamai mažo klampumo alyva, pavyzdžiui, mašinine alyva ar pan., bei purškiamo tepimo alyva.

PERSPĖJIMAS:

- Neplaukite peilių vandeniu. Kitaip galite paskatinti rūdijimą arba sugadinti šį įrankį.

Kirpimo peilių įstatymas arba nuėmimas

PERSPĖJIMAS:

- Prieš montuodami arba nuimdami kirpimo peilį, visada patikrinkite, ar įrankis išjungtas, o akumuliatoriaus kasetė išimta.
- Keisdami kirpimo peilius, visada mūvėkite pirštines ir nenuimkite geležtės gaubto, kad rankos ir veidas tiesiogiai neprisiliestų prie peilio. Kitaip galite susižeisti.

PASTABA:

- Nenuvalykite tepalo nuo pavaros ir švaistiklio. Kitaip galite sugadinti šį įrankį.
- Išsamiau apie kirpimo peilių nuėmimą ir įstatymą skaitykite kitoje atsarginių kirpimo peilių paketo pusėje.

Kirpimo peilių nuėmimas

Apverskite įrankį ir atsukite keturis varžtus.

► Pav.18: 1. Peilio gaubtas 2. Varžtai

PASTABA:

- Saugokitės, kad neišsiteptumėte rankų, nes kirpimo peilio judėjimo zona yra sutepta alyva.

Nuimkite apatinį dangtelį.

- **Pav.19:** 1. Papildomas gaubtas 2. Peilio gaubtas 3. Varžtai

Nuimkite plokštę.

- **Pav.20:** 1. Plokštė

Kryžminių suktuvų nustatykite alkūninį veleną kampu kaip parodyta paveikslėlyje.

- **Pav.21:** 1. Švaistiklis

Atsukite du varžtus iš kirpimo peilio ir kirpimo peilio mazgą galėsite nuimti.

- **Pav.22:** 1. Varžtai 2. Kirpimo peilis

▲ PERSPĖJIMAS:

- Jei netyčia išėmėte pavarą, vėl ją įstatykite taip pat, kaip ir buvo pradinėje padėtyje.

Kirpimo peilių montavimas

Pasiruoškite 4 nuimtus varžtus (apatiniam dangčiui), 2 varžtus (karpymo peiliui), plokštę, apatinį dangtį ir naujus karpymo peilius.

Suderinkite švaistiklio sudėtį, kaip parodyta piešinyje. Dabar švaistiklio išorę suteptė tepalu, pateiktu kartu su nauju kirpimo peiliu.

- **Pav.23:** 1. Švaistiklis

Sutapatinkite ovalinę angą viršutiniame peilyje su tokia pat anga apatiniame peilyje.

- **Pav.24:** 1. Ovali karpymo peilių anga

Nuo senojo kirpimo peilio numaukite apvalkalą ir užmaukite ant naujojo peili, kad keitimo metu būtų lengviau jį valdyti.

- **Pav.25**

Uždėkite naujuosius peilius ant įrankio, kad ovalios angos kirpimo peiliuose užsimautų ant švaistiklio.

Sutapatinkite skylės kirpimo peiliuose su skylėmis varžtams įrankyje ir pritvirtinkite juos dviem varžtais.

- **Pav.26:** 1. Ovali karpymo peilių anga 2. Švaistiklis 3. Varžtai

Kryžminių suktuvų patikrinkite alkūninį veleną, ar jis sklandžiai sukasi.

- **Pav.27:** 1. Švaistiklis

Uždėkite ant įrankio plokštę ir apatinį dangtį. Tvirtai užveržkite varžtais.

PASTABA:

- Plokštės viršus ir apačia niekuo nesiskiria.

Nuimkite peilio apvalkalą ir įjunkite įrankį, kad patikrintumėte, ar peilis juda tinkamai.

PASTABA:

- Jei kirpimo peiliai veikia blogai, peiliai netinkamai uždėti ant švaistiklio. Kartokite viską nuo pradžios.

Anglinių šepetėlių keitimas

- **Pav.28:** 1. Ribos žymė

Periodiškai išimkite ir patikrinkite anglinius šepetėlius. Pakeiskite juos, kai nusidėvi iki ribos žymės. Laikykite anglinius šepetėlius švarius ir laisvai įslenkančius į laikiklius. Abu angliniai šepetėliai turėtų būti keičiami tuo pačiu metu. Naudokite tik identiškus anglinius šepetėlius.

- **Pav.29:** 1. Laikiklio galvutės dangtis 2. Kryžminis suktuvas

Įkiškite kryžminio suktuvo galiuką į įrankio įrantą, tada pakelkite ir išimkite laikiklio galvutės dangtelį.

- **Pav.30:** 1. Šepetėlio laikiklio dangtelis 2. Kryžminis suktuvas

Jei norite nuimti šepetėlių laikiklių dangtelius, pasinaudokite kryžminių suktuvu. Išimkite sudėvėtus anglinius šepetėlius, įdėkite naujus ir uždėkite šepetėlių laikiklių dangtelius.

Atgal uždėkite dangtelį ant įrankio.

Laikymas

Peilio apvalkalo dugne esanti skylė kabliui leidžia patogiai pakabinti įrankį ant vinies ar varžto sienoje.

- **Pav.31**

Išimkite akumulatoriaus kasetę ir uždenkite karpymo peilius peilių gaubtu, kad jie būtų apsaugoti. Saugokite įrankį vaikams nepasiekiamoje vietoje.

Laikykite įrankį nuo lietaus ir vandens apsaugotoje vietoje.

Kad gaminys būtų SAUGUS ir PATIKIMAS, jį taisyti, apžiūrėti ar vykdyti bet kokią kitą priežiūrą ar derinimą turi įgaliotasis kompanijos „Makita“ techninės priežiūros centras; reikia naudoti tik kompanijos „Makita“ pagamintas atsargines dalis.

PASIRENKAMI PRIEDAI

▲ PERSPĖJIMAS:

- Su šiaime vadove aprašytu įrenginiu „Makita“ rekomenduojama naudoti tik nurodytus priedus ir papildomus įtaisus. Jeigu bus naudojami kito-kie priedai ar papildomi įtaisai, gali būti sužaloti žmonės. Priedus arba papildomus įtaisus naudokite tik pagal paskirtį.

Jeigu norite daugiau sužinoti apie tuos priedus, kreipkitės į artimiausią „Makita“ techninės priežiūros centrą.

- Peilio gaubtas
- Kirpimo peilio komplektas
- Originalus „Makita“ akumulatorius ir kroviklis
- Skiedrų gaudyklė

PASTABA:

- Kai kurie sąraše esantys priedai gali būti pateikti įrankio pakuotėje kaip standartiniai priedai. Jie įvairiose šalyse gali skirtis.

TEHNILISED ANDMED

Mudel	DUH551	DUH651
Lati pikkus	550 mm	650 mm
Käiku minutis (min ⁻¹)	1 000 - 1 800	
Kogupikkus	1 065 mm	1 135 mm
Nimipinge	Alalisvool 36 V	
Netomass	5,1 kg	5,2 kg

- Meie jätkuva teadus- ja arendustegevuse programmi tõttu võidakse siin antud tehnilisi andmeid muuta ilma ette teatamata.
- Spetsifikatsioonid ja aku korpus võivad riigiti erineda.
- Kaal koos aku korpusega vastavalt EPTA-protseduurile 01/2003

Müra	Helirõhu tase		Heli võimsuse tase		Kohaldatav standard või direktiiv
Mudel	L _{PA} (dB(A))	Määramatus K (dB(A))	L _{PA} (dB(A))	Määramatus K (dB(A))	
DUH551	81,5	2,1	91	1,5	2000/14/EC
DUH651	82	1,4	91,1	1,5	

- Kandke kõrvakaitsmeid.

Vibratsioon	Deklareeritud emissioon (m/s ²)	Määramatus K (m/s ²)	Kohaldatav standard või direktiiv
Mudel			
DUH551 / DUH651	≤ 2,5	1,5	EN60745

MÄRKUS: Deklareeritud vibratsiooniemissiooni väärtus on mõõdetud kooskõlas standardse testimismeetodiga ning seda võib kasutada ühe seadme võrdlemiseks teisega.

MÄRKUS: Deklareeritud vibratsiooniemissiooni väärtust võib kasutada ka mürataseme esmaseks hindamiseks.

⚠ HOIATUS: Vibratsioonitase võib elektritööriista tegelikkuses kasutamise ajal erineda deklareeritud väärtusest sõltuvalt tööriista kasutamise viisidest.

⚠ HOIATUS: Rakendage kindlasti operaatori kaitsmiseks piisavaid ohutusabinõusid, mis põhinevad hinnangulisel müratasemel tegelikus tööolukorras (võttes arvesse tööperioodi kõik osad nagu näiteks korrad, mil seade lülitatakse välja ja mil seade töötab tühikäigul, lisaks tööajale).



Ni-MH
Li-ion

Üksnes ELi liikmesriikidele
Ärge käidelge kasutusolbmatus muutunud elektriseadmeid ega akusid koos olmejätmetega!
Vastavalt Euroopa Parlamendi ja Nõukogu direktiividele elektri- ja elektroonikaseadmete jäätmekohta ning patareide ja akude ning patareid- ja akujätmete kohta ning nende nõuete kohaldamisele liikmesriikides tuleb kasutusolbmatus muutunud elektriseadmed ja akud koguda eraldi ja keskkonnanäasäästlikult korduskasutada või ringlusse võtta.

Ettenähtud kasutamine

Tööriist on ette nähtud heki pügamiseks.

Ainult Euroopa riigid

EÜ vastavusdeklaratsioon

Makita korporatsiooni vastutava tootjana kinnitame, et alljärgnev(ad) Makita masin(ad):

Masina tähistus:
Juhtmeta hekitrimmer
Mudeli Nr/ Tüüp: DUH551, DUH651
Tehnilised andmed: vt tabel „TEHNILISED ANDMED“.

on seeriatoodang ja

Vastavad alljärgnevatele Euroopa Parlamendi ja nõukogu direktiividele:

2000/14/EÜ, 2006/42/EÜ

Ning on toodetud vastavalt alljärgnevatele standarditele või standardiseeritud dokumentidele:

EN60745

Tehnilist dokumentatsiooni hoitakse ettevõttes:

Makita International Europe Ltd.
Technical Department,
Michigan Drive, Tongwell,
Milton Keynes, Bucks MK15 8JD, Inglismaa

Sümbol

Järgnevalt kirjeldatakse seadmetel kasutatavaid tingimärke. Veenduge, et olete nende tähendusest aru saanud enne seadme kasutamist.



Lugege kasutusjuhendit.



Ärge jätke vihma kätte.

Vastavushindamise protseduur direktiivi 2000/14/EÜ alusel oli kooskõlas lisaga V.

Model DUH551

Mõõdetud müravõimsustase: 91,0 dB (A)
Garanteeritud müravõimsustase: 93 dB (A)

Model DUH651

Mõõdetud müravõimsustase: 91,1 dB (A)
Garanteeritud müravõimsustase: 93 dB (A)

8.8.2013



Tomoyasu Kato
Direktor
Makita Corporation
3-11-8, Sumiyoshi-cho,
Anjo, Aichi, 446-8502, JAAPAN

Üldised elektritööriistade ohutushoiatused

⚠️HOIATUS Lugege läbi kõik ohutushoiatused ja juhised. Hoiatuste ja juhiste mittejärgmine võib põhjustada elektrišokki, tulekahju ja/või tõsiseid vigastusi.

Hoidke alles kõik hoiatused ja juhised edaspidisteks viideteks.

JUHTMETA HEKITRIMMERI OHUTUSNÕUDED

- Hoidke kõik kehaosad lõiketerast eemal. Ärge eemaldage lõikematerjali ega hoidke sellest kinni, kui lõiketerad liiguvad. Veenduge, et seade on välja lülitud, kui puhastate seda kinnikiilunud materjalist.** Üks hetk tähelepanematust hekitrimmeriga töötamisel võib põhjustada tõsiseid vigastusi.
- Hoidke kõik kehaosad lõiketerast eemal. Ärge eemaldage lõikematerjali ega hoidke sellest kinni, kui lõiketerad liiguvad. Veenduge, et seade on välja lülitud, kui puhastate seda kinnikiilunud materjalist.** Üks hetk tähelepanematust hekitrimmeriga töötamisel võib põhjustada tõsiseid vigastusi.
- Hoidke elektritööriista ainult isoleeritud haardepindadest, sest lõiketera võib sattuda kokkupuutesse varjatud juhtmetega.** Pingestatud juhtme lõikamisel lõiketeradega võivad elektritööriista katmata metallosad pingestuda, mille tagajärjel võib seadme kasutaja saada elektrilöögi.
- Ärge kasutage hekitrimmerit vihmaga või märgades või väga niisketes tingimustes. Elektrimootor pole veekindel.
- Algajale peaks kogunud hekitrimmeri kasutaja õpetama, kuidas trimmerit kasutada.
- Lastel ja alla 18-aastastel noortel on hekitrimmeri kasutamine keelatud. Üle 16-aastased noored võivad olla nimetatud piirangust vabastatud, kui nad läbivad vastava väljaõppe asjatundja juhendamisel.

- Kasutage hekitrimmerit vaid siis, kui olete heas füüsilises seisundis. Teie tähelepanuvõime on vähenenud, kui olete väsinud. Olge eriti ettevaatlik tööpäeva lõpul. Töötage rahulikult ja ettevaatlikult. Kasutaja on vastutav kõigi kolmandatele osapooltele põhjustatud kahjude eest.
- Ärge kunagi töötage alkoholi, uimastite või ravimite mõju all.
- Tugevast nahast töökindad on osa põhivarustusest ja neid tuleb hekitrimmerit kasutades alati kanda. Samuti kandke vastupidavaid libisemisvastase tallaga jalanõusid.
- Enne tööleasumist veenduge, et trimmer on heas töökorras ja turvaline. Veenduge, et kaitsmed on korralikult kinnitatud. Hekitrimmerit ei tohi kasutada, kui see pole täielikult komplekteeritud.
- Enne tööleasumist veenduge, et teil on kindel jalgealune.
- Töötades hoidke tööriista kindlalt käes.
- Ärge käituge tööriista tarbetult koormamata olekus.
- Kui lõiketera satub kontakti aiaga või mõne muu kõva objektiga, lülitage mootor koheselt välja ja eemaldage akukassett. Kontrollige, kas lõiketera on vigastatud, kui jah, parandage leitud vigastused kohe.
- Lülitage trimmer enne lõiketera kontrollimist, tõrgete eemaldamist või lõiketerasse kiilunud materjali eemaldamist alati välja ja eemaldage akukassett.
- Lülitage trimmer välja ja eemaldage akukassett enne mis tahes hooldustoimingute teostamist.
- Hekitrimmeri asukoha muutmisel, ka töötamise ajal, eemaldage alati akukassett ja paigaldage lõiketeradele vastav kaitsekate. Ärge kunagi transportige trimmerit, kui lõiketera töötab. Ärge kunagi võtke käega lõiketerast kinni.
- Enne trimmeri pikemaks ajaks hoiustamist ja pärast iga kasutust puhastage hekitrimmer ja eriti lõiketera. Õlitage kergelt lõiketera ja pange kate peale. Trimmerit saab kaasasoleva katte abil riputada seinale, mis tagab turvalise ja praktilise hoiustamise.
- Hoiustage trimmer oma kattes ja kuivas ruumis. Hoidke see lastele kättesaamatus kohas. Ärge kunagi hoiustage trimmerit õues.

HOIDKE JUHEND ALLES.

⚠️HOIATUS: ÄRGE laske mugavusel või toote kasutamisharjumustel (mis on saadud korduva kasutuse jooksul) asendada vankumatut toote ohutuseeskirjade järgimist. VALE KASUTUS või käesoleva kasutusjuhendi ohutusunõuete eiramine võib põhjustada tõsiseid vigastusi.

TÄHTSAD OHUTUSALASED JUHISED

AKUKASSETI KOHTA

1. Enne akukasseti kasutamist lugege (1) akulaadijal, (2) akul ja (3) seadmel olevad kõik juhised ja hoiatused läbi.
2. Ärge akukassetti lahti monteerige.
3. Kui tööaeg järjest lüheneb, siis lõpetage kasutamine koheselt. Edasise kasutamise tulemuseks võib olla ülekuumenemisoht, võimalikud põletused või isegi plahvatus.
4. Kui elektrolüüti satub silma, siis loputage silma puhta veega ja pöörduge koheselt arsti poole. Selline õnnetus võib põhjustada pimedaksjäämist.
5. Ärge tekitage akukassetis lühist:
 - (1) Ärge puutuge klemme elektrijuhtidega.
 - (2) Ärge hoidke akukassetti tööriistakastis koos metallesemetega, nagu naelad, mündid jne.
 - (3) Ärge tehke akukassetti märjaks ega jätke seda vihma kätte.Aku lühis võib põhjustada tugevat elektri-voolu, ülekuumenemist, põletusi ning ka sead-
det tõsiselt kahjustada.
6. Ärge hoidke tööriista ja akukassetti kohtades, kus temperatuur võib tõusta üle 50° C.
7. Ärge põletage akukassetti isegi siis, kui see on saanud tõsiselt vigastada või on täiesti kulu-
nud. Akukassett võib tules plahvatada.
8. Olge ettevaatlik ning ärge laske akul maha kukkuda või lööge seda.
9. Ärge kasutage kahjustatud akut.
10. Järgige kasutuskõlbmatuks muutunud aku käitlemisel kohalikke eeskirju.

HOIDKE JUHEND ALLES.

Vihjeid aku maksimaalse kasutusaja tagamise kohta

1. Laadige akukassetti enne kui see täiesti tühjaks saab.
Alati, kui märkate, et tööriist töötab väiksema võimsusega, peatage töö ja laadige akut.
2. Ärge kunagi laadige täislaetud akukassetti. Liigne laadimine lühendab aku kasutusiga.
3. Laadige akukassetti toatemperatuuril 10° C - 40° C. Laske kuuma akukassetil enne laadimist maha jahtuda.
4. Kui Te akukassetti pikemat aega ei kasuta, laadige seda iga kuue kuu järel.

FUNKTSIONAALNE KIRJELDUS

⚠ETTEVAATUST:

- Kandke alati hoolt selle eest, et tööriist oleks enne reguleerimist ja kontrollimist välja lülitatud ja akukassett eemaldatud.

Akukasseti paigaldamine või eemaldamine

► Joon.1: 1. Punane näidik 2. Nupp 3. Akukassett

⚠ETTEVAATUST:

- Lülitage tööriist alati enne akukasseti paigaldamist või eemaldamist välja.
- Hoidke tööriista ja akukassetti kindlalt käes, kui paigaldate või eemaldate akukassetti. Kui eirata nõuet tööriista ja akukasseti hoidmise kohta, võivad need käest libiseda ja maha kukkudes puruneda ja põhjustada kehavigastusi.

Akukasseti eemaldamiseks libistage see tööriista küljest lahti, vajutades kasseti esiküljel paiknevat nuppu alla.

Akukasseti paigaldamiseks joondage akukasseti keel korpuse soonega ja libistage kassett oma kohale. Paigaldage kassett alati nii kaugele, et see lukustuks klõpsatusega oma kohale. Kui näete nupu ülaosas punast osa, pole kassett täielikult lukustunud.

⚠ETTEVAATUST:

- Paigaldage akukassett alati täies ulatuses nii, et punast osa ei jääks näha. Vastasel korral võib kassett tööriistast välja kukkuda ning vigastada Teid või läheduses viibivaid isikuid.
- Ärge rakendage jõudu akukasseti paigaldamisel. Kui kassett ei lähe kergesti sisse, pole see õigesti paigaldatud.

MÄRKUS:

- Tööriist ei tööta ainult ühe akukassetiga.

Tööriista/aku kaitsesüsteem

Tööriist on varustatud tööriista/aku kaitsesüsteemiga. Süsteem lülitab mootori automaatselt välja, et pikendada tööriista ja aku eluiga.

Tööriist seiskub käitamise ajal automaatselt, kui tööriista ja/või aku kohta kehtib üks järgmistest tingimustest. Teatud tingimustes hakkavad indikaatorid põlema.

Ülekoormuskaitse

Kui tööriista kasutamise käigus hakkab see tarbima ebaharilikult palju voolu, peatub tööriist automaatselt ilma mingi signaalita. Sellisel juhul lülitage tööriist välja ning lõpetage tööriista ülekoormuse põhjustanud tegevus. Pärast seda käivitage tööriist uuesti.

Ülekoormuskaitse tööriistale/akule

Kui tööriist/aku on üle kuumenenud, siis seiskub tööriist automaatselt ilma igasuguse näiduta. Tööriist ei käivitu isegi lüliti päästiku tõmbamisel. Sellises olukorras laske tööriistal/akul maha jahtuda enne, kui selle uuesti sisse lülitate.

MÄRKUS: Aku ülekuumenemiskaitse töötab ainult koos tähekeste märgiga akukassetiga.

► **Joon.2:** 1. Tähe märgis

Ülelaadimiskaitse

► **Joon.3:** 1. Aku indikaator

Kui järelejäädud aku laeng on väike, siis akuindikaator vilgub vastava aku küljel. Edasisel kasutamisel tööriist seiskub ning akuindikaator hakkab põlema ja põleb umbes 10 sekundit. Sellisel juhul laadige akukasseti.

Käepideme paigaldamise asendid

⚠ETTEVAATUST:

- Alati veenduge enne käitamist, et käepide oleks lukustatud soovitud asendisse.

► **Joon.4:** 1. Nupp 2. Korpus

Olenevalt tööst võite käepideme seada kas 45° või 90° nurga all olevasse asendisse vasakul või paremal poolel. Käepideme pööramiseks tõmmake nuppu ja keerake käepidet niimoodi, nagu joonisel on näidatud. Käepide lukustub 45° asendis. Käepideme pööramiseks 90° asendisse tõmmake nuppu uuesti ja pöörake veel käepidet.

Lüliti funktsioneerimine

⚠ETTEVAATUST:

- Kontrollige alati enne akukasseti tööriista külge paigaldamist, kas lüliti päästik funktsioneerib nõuetekohaselt ja liigub lahtilaskmisel tagasi väljalülitatud asendisse.

► **Joon.5:** 1. Lüliti päästik B 2. Lüliti päästik A
3. Lahtilukustuse nupp

Teie turvalisust silmas pidades on see tööriist varustatud kahekordse sisselülitamise süsteemiga. Tööriista sisselülitamiseks vajutage lahtilukustuse nuppu ning vajutage lüliti päästikule A ja B. Lüliti väljalülitamiseks vabastage üks lüliti päästikutest. Tööriist käivitub ainult siis, kui tõmmatakse mõlemat lüliti päästikut.

Kiiruse muutmine

► **Joon.6:** 1. Regulaatorketas

Tõugete arvu minuti kohta saab reguleerida regulaatorketast keerates. Seda saab teha isegi siis, kui tööriist töötab. Kettal on märgised 1-st (madalaim kiirus) kuni 6-ni (täiskirus).

Regulaatorkettal olevad numbrid ja löökide arv minutis on seotud nii, nagu kirjas alltoodud tabelis.

Regulaatorkettal olev number	Käiku minutis (min ⁻¹)
6	1 800
5	1 750
4	1 650
3	1 500
2	1 300
1	1 000

⚠ETTEVAATUST:

- Kiiruseregulaatorit saab keerata ainult numbrini 6 ja tagasi numbrini 1. Ärge kiiruseregulaatorit jõuga üle 6 või 1 keerata püüdke, sest vastasel korral ei pruugi kiiruse reguleerimise funktsioon enam töötada.
- Erinev löökide arv minutis sõltub akukasseti ja lõiketerade seisundist.

TÖÖRIISTA KASUTAMINE

⚠ETTEVAATUST:

- Olge pügamisel ettevaatlik, et trimmer ei satuks kontakti traataia või mõne muu kõva asjaga. Latt võib murduda ja põhjustada tõsiseid kehavigastusi.
- Hekitrimmeriga kuskile upitamine, eriti redelilt, on väga ohtlik. Ärge töötage kõikuval või ebakindlal asusel.

TÄHELEPANU: Ärge püüdke tööriistaga lõigata jämedamaid oksa kui 10 mm. Lõigake enne tööriista kasutamist oksad oksalõikuriiga lõikekõrgusest kuni 10 cm madalamaks.

► **Joon.7:** (1) Lõikekõrgus (2) 10 cm

⚠ETTEVAATUST:

- Ärge lõigake maha surnud puid ega sarnaseid kõvasid asju. Vastasel korral võite tööriista vigastada.

► **Joon.8**

Hoidke trimmerit kahe käega, vajutage lülitiid A ja B alla ning liigutage trimmerit enda ees.

► **Joon.9:** 1. Pügamise suund 2. Pügatav hekipind
3. Kallutage lõiketerasid.

Põhivõttena kallutage tera pügamissuunas ja liigutage seda rahulikult ja aeglaselt kiirusel 1 meetri 3 - 4 sekundi jooksul.

► **Joon.10**

Et pügada heki ülemine osa ühtlaselt, võib abistamiseks pügamiskõrgusele kinnitada nõõri ja mööda seda lõigata.

► **Joon.11**

Laastukoguja (valikuline tarvik) paigaldamine tööriistale sirgjoonelisel pügamisel väldib äralõigatud lehtede eemalpeaiskumist.

► Joon.12

Enne käitamist pöörake käepide mugavasse asendisse. Vaadake lõiku pealkirjaga „Käepideme paigaldamise asendid“.

Alt üles liikumine aitab heki külge sirgelt lõigata.

► Joon.13

Hea ja ilusa tulemuse saamiseks pügage pukspuud ja rododendronit alt üles.

Laastukoguja (valikuline tarvik) paigaldamine ja eemaldamine

⚠ETTEVAATUST:

- Enne laastukoguja paigaldamist või eemaldamist kandke alati hoolt selle eest, et tööriist oleks välja lülitatud ja akukassett eemaldatud.

MÄRKUS:

- Laastukoguja paigaldamisel kandke alati kindaid ja kandke hoolt, et käed ja nägu ei satuks otsesesse kontakti lõiketeraga. Vastasel korral võivad tagajärjeks olla kehavigastused.
- Enne laastukoguja paigaldamist eemaldage kindlasti alati lõikuri kate.
- Laastukoguja kogub lenduvaid ärälõigatud lehti ja leevendab lehtede koristamist. Selle võib paigaldada tööriista ükskõik kummale küljele.

► Joon.14: 1. Vajutage 2. Laastukoguja 3. Mutter 4. Lõiketera

Pange laastukoguja latile nii, et sellel olevad muhud lähevad laastukoguja salkudesse. Samal ajal pange tähele, et laastukoguja ei puutuks kokku oksapüüdjaga lati tipus.

► Joon.15: 1. Mutter 2. Oksapüüdja

Praegu on vaja paigaldada laastukoguja nii, et selle haigid istuvad lati soonde.

► Joon.16: 1. Haigid 2. Sobitage haigid soonde 3. Sooned

Laastukoguja eemaldamiseks suruge hoobadele haagi mõlemal küljel nii, et haigid vabanevad.

► Joon.17: 1. Suruge hoobadele mõlemal küljel 2. Vabastage haigid

⚠ETTEVAATUST:

- Lati katet ei saa paigaldada, kui laastukoguja on küljes. Enne transporti või hoiustamist eemaldage laastukoguja ja paigaldage lati kate, et vältida lõiketera kaitseta jätmist.

MÄRKUS:

- Veenduge enne kasutamist, et laastukoguja on korralikult kinnitatud.
- Ärge kunagi proovige laastukogujat jõuga eemaldada, kui haigid on lukustatud latile. Jõu kasutamine võib seda vigastada.

HOOLDUS

⚠ETTEVAATUST:

- Kandke alati enne kontroll- või hooldustoimingute teostamist hoolt selle eest, et tööriist oleks välja lülitatud ja akukassett korpuse küljest eemaldatud.
- Ärge kunagi kasutage bensiini, vedeldit, alkoholi ega midagi muud sarnast. Selle tulemuseks võib olla luitumine, deformatsioon või pragunemine.

Tööriista puhastamine

Puhastage tööriist tolmust kuiva või niiske seebise lapiga.

Terade hooldus

Määrige latti enne ja kord tunnis kasutamise ajal kas masinaõli või sarnasega.

MÄRKUS:

- Enne lõikuri määrimist eemaldage laastukoguja.

Pärast kasutamist eemaldage tolm lõiketera mõlemalt küljelt taatrharjaga, pühkige see lapiga ära ja seejärel kandke lõiketerale piisavas koguses väikese viskoossusega õli, nagu masinaõli jms ning puhustatav määrdeõli.

⚠ETTEVAATUST:

- Ärge peske latti vees. Vastasel korral võib tööriist roostetada või viga saada.

Lõiketera eemaldamine või paigaldamine

⚠ETTEVAATUST:

- Enne lõiketerade eemaldamist või paigaldamist kandke alati hoolt selle eest, et tööriist oleks välja lülitatud ja akukassett eemaldatud.
- Lõiketera paigaldamisel kandke alati kindaid ja ärge eemaldage lõikuri katet, et käed ja nägu ei satuks otsesesse kontakti lõiketeraga. Vastasel korral võivad tagajärjeks olla kehavigastused.

MÄRKUS:

- Ärge pühkige õli mehhanismist ja väntvõlliit. Vastasel korral võite põhjustada tööriista vigastusi.
- Lõikuri eemaldamise või paigaldamise täpsete juhiste kohta vaadake tagavara lõiketera pakendi tagaküljelt.

Lõiketera eemaldamine

Keerake tööriist tagurpidi ja keerake lahti neli kruvi.

► Joon.18: 1. Terakate 2. Kruvid

MÄRKUS:

- Olge ettevaatlik, et te ei määriks käsi, sest mootoriruum on õlitatud.

Eemaldage alumine kate.

► **Joon.19:** 1. Aluskate 2. Terakate 3. Kruvid

Eemaldage plaat.

► **Joon.20:** 1. Plaat

Seadke väntvõlli joonisel näidatud nurga alla lapikkruvikeerajaga.

► **Joon.21:** 1. Väntvõll

Eemaldage lõiketeralt kaks kruvi ja nüüd saab lõiketera välja võtta.

► **Joon.22:** 1. Kruvid 2. Lõiketera

⚠ETTEVAATUST:

- Asetage mehhanism tagasi algasendisse, nii nagu see oli paigaldatud, juhuks kui see peaks kogemata paigast liikuma.

Lõiketerade paigaldamine

Valmistage ette 4 eemaldatud kruvi (alumise katte jaoks), 2 kruvi (lõiketera jaoks), plaat, alumine kate ja uued lõiketerad.

Muutke väntvõlli asendit joonisel näidatud moel. Nüüd õlitage uue lõiketeraga kaasasoleva määrdega väntvõlli ümbrust.

► **Joon.23:** 1. Väntvõll

Asetage alumise lõiketera ovaalne auk ülemisele.

► **Joon.24:** 1. Lõiketerade ovaalne auk

Eemaldage vanalt lõiketeralt lati kate ja asetage see uuele, et seda oleks paigaldamise ajal lihtne käsitseda.

► **Joon.25**

Asetage uus lõiketera tööriistale nii, et ovaalsed augud lõiketeral sobivad väntvõllile. Sättige lõiketera kruviaugud kohakuti tööriista kruviaukudega ja kinnitage lõiketera kahe kruviga.

► **Joon.26:** 1. Lõiketerade ovaalne auk 2. Väntvõll 3. Kruvid

Kontrollige lapikkruvikeerajaga, et väntvõll pöörleb sujuvalt.

► **Joon.27:** 1. Väntvõll

Paigaldage plaat ja alumine kate tööriistale. Keerake kruvi kõvasti kinni.

MÄRKUS:

- Plaadi ülemine ja alumine pool on ühesugused.

Eemaldage lati kate, lülitage töörist sisse ja kontrollige, et lõiketera töötab korralikult.

MÄRKUS:

- Kui lõiketera ei liigu korralikult, siis on lõiketera ja väntvõll halvasti kokku sobitunud (halvasti kokku pandud?). Korrake kogu protseduuri algusest peale.

Süsiharjade asendamine

► **Joon.28:** 1. Piirmärgis

Võtke välja ja kontrollige süsiharju regulaarselt.

Asendage süsiharjad uutega, kui need on kulunud piirmärgini. Hoidke süsiharjad puhtad, nii on neid lihtne oma hoidikutesse libistada. Mõlemad süsiharjad tuleb asendada korraga. Kasutage ainult identseid süsiharju.

► **Joon.29:** 1. Hoidikukaane kate 2. Lapikkruvikeeraja

Torgake lapikkruvikeeraja ots tööriistal olevasse säliku ja eemaldage hoidiku kaane kate, tõstes selle üles.

► **Joon.30:** 1. Harjahoidiku kate 2. Lapikkruvikeeraja

Kasutage harjahoidikute kaante eemaldamiseks lapikkruvikeerajat. Võtke ära kulunud süsiharjad välja, paigaldage uued ning kinnitage harjahoidikute kaaned tagasi oma kohale.

Pange hoidiku kaane kate tagasi tööriista külge.

Hoidmine

Lati kattes oleva auguga on mugav tööriista seinale naela või kruvi otsa riputada.

► **Joon.31**

Eemaldage akukassett ja asetage kate lõiketeradele nii, et lõiketerad ei paistaks välja. Hoiustage tööriist lastele kättesaamatus kohas.

Hoiustage tööriista kohas, kus see ei saa märjaks.

Toote OHUTUSE ja TÖÖKINDLUSE tagamiseks tuleb vajalikud remonttööd, muud hooldus- ja reguleerimistööd lasta teha Makita volitatud teeninduskeskustes.

Alati tuleb kasutada Makita varuosi.

VALIKULISED TARVIKUD

⚠ETTEVAATUST:

- Neid tarvikuid ja lisaseadiseid on soovitatav kasutada koos Makita tööriistaga, mille kasutamist selles kasutusjuhendis kirjeldatakse. Muude tarvikute ja lisaseadiste kasutamisega kaasneb vigastada saamise oht. Kasutage tarvikuid ja lisaseadiseid ainult otstarvetel, milleks need on ette nähtud.

Saate vajadusel kohalikust Makita teeninduskeskusest lisateavet nende tarvikute kohta.

- Terakate
- Kääriterade mehhanism
- Makita algupärane aku ja laadija
- Laastukoguja

MÄRKUS:

- Mõned nimekirjas loetletud tarvikud võivad kuuluda standardvarustusse ning need on lisatud tööriista pakendisse. Need võivad riikide lõikes erineda.

ТЕХНИЧЕСКИЕ ХАРАКТЕРИСТИКИ

Модель	DUH551	DUH651
Длина ножа	550 мм	650 мм
Ходов в минуту (мин ⁻¹)	1 000 - 1 800	
Общая длина	1 065 мм	1 135 мм
Номинальное напряжение	36 В пост. Тока	
Вес нетто	5,1 кг	5,2 кг

- Благодаря нашей постоянно действующей программе исследований и разработок, указанные здесь технические характеристики могут быть изменены без предварительного уведомления.
- Технические характеристики и аккумуляторный блок могут отличаться в зависимости от страны.
- Масса (с аккумуляторным блоком) в соответствии с процедурой EPTA 01.2003

Шум	Уровень звукового давления		Уровень звуковой мощности		Применимый стандарт или директива
Модель	L _{рА} (дБ(A))	Погрешность, К (дБ (A))	L _{рА} (дБ(A))	Погрешность, К (дБ (A))	
DUH551	81,5	2,1	91	1,5	2000/14/EC
DUH651	82	1,4	91,1	1,5	

- Используйте средства защиты слуха.

Вибрация	Заявленное значение распространения, (м/с ²)	Погрешность, К (м/с ²)	Применимый стандарт или директива
Модель			
DUH551 / DUH651	≤ 2,5	1,5	EN60745

ПРИМЕЧАНИЕ: Заявленное значение распространения вибрации измерено в соответствии со стандартной методикой испытаний и может быть использовано для сравнения инструментов.

ПРИМЕЧАНИЕ: Заявленное значение распространения вибрации можно также использовать для предварительных оценок воздействия.

⚠ ОСТОРОЖНО: Распространение вибрации во время фактического использования электроинструмента может отличаться от заявленного значения в зависимости от способа применения инструмента.

⚠ ОСТОРОЖНО: Обязательно определите меры безопасности для защиты оператора, основанные на оценке воздействия в реальных условиях использования (с учетом всех этапов рабочего цикла, таких как выключение инструмента, работа без нагрузки и включение).

Символ

Ниже приведены символы, используемые для электроинструмента. Перед использованием убедитесь, что вы понимаете их значение.



Прочитайте руководство пользователя.



Беречь от дождя.



Только для стран ЕС

Не выбрасывайте электрооборудование или аккумуляторы вместе с бытовым мусором! В соответствии с европейскими директивами об утилизации электрического и электронного оборудования, о батареях и аккумуляторах, а также использованных батареях и аккумуляторах и их применении в соответствии с местными законами электрооборудование, батареи и аккумуляторы, срок эксплуатации которых истек, должны утилизироваться отдельно и передаваться для утилизации на предприятие, соответствующее применяемым правилам охраны окружающей среды.

Назначение

Инструмент предназначен для подрезки живой изгороди.

Только для европейских стран

Декларация о соответствии ЕС

Makita Corporation, являясь ответственным производителем, заявляет, что следующее устройство (-а) Makita:

Обозначение устройства:

Аккумуляторный Кусторез

Модель/Тип: DUH551, DUH651

Технические характеристики: см. Таблицу "ТЕХНИЧЕСКИЕ ХАРАКТЕРИСТИКИ".

являются серийной продукцией и

Соответствует (-ют) следующим директивам ЕС: 2000/14/EC, 2006/42/EC

и изготовлены в соответствии со следующими стандартами или нормативными документами: EN60745

Техническая документация хранится по адресу:

Makita International Europe Ltd.
Technical Department,
Michigan Drive, Tongwell,
Milton Keynes, Bucks MK15 8JD, England

Процедура оценки соответствия согласно директиве 2000/14/ЕС была проведена в соответствии с приложением V.

Модель DUN551

Измеренный уровень звуковой мощности: 91,0 дБ (А)
Гарантированный уровень звуковой мощности: 93 дБ (А)

Модель DUN651

Измеренный уровень звуковой мощности: 91,1 дБ (А)
Гарантированный уровень звуковой мощности: 93 дБ (А)

8.8.2013



Tomoyasu Kato
Директор
Makita Corporation
3-11-8, Sumiyoshi-cho,
Anjo, Aichi, 446-8502, JAPAN

Общие рекомендации по технике безопасности для электроинструментов

⚠ ПРЕДУПРЕЖДЕНИЕ Ознакомьтесь со всеми инструкциями и рекомендациями по технике безопасности. Невыполнение инструкций и рекомендаций может привести к поражению электротоком, пожару и/или тяжелым травмам.

Сохраните брошюру с инструкциями и рекомендациями для дальнейшего использования.

ПРАВИЛА ТЕХНИКИ БЕЗОПАСНОСТИ ПРИ ЭКСПЛУАТАЦИИ АККУМУЛЯТОРНОГО ИНСТРУМЕНТА ДЛЯ ПОДРЕЗКИ ЖИВОЙ ИЗГОРОДИ

1. **Не приближайтесь к режущему ножу. Не удаляйте срезанные ветки и не придерживайте ветки, которые собираетесь срезать, если ножи движутся. Удаляя застрявшие обрезки, убедитесь, что инструмент выключен.** Секундная невнимательность при работе с инструментом может привести к тяжелой травме.
2. **Когда лезвия остановились, инструмент можно переносить за ручку. На время транспортировки или хранения обязательно надевайте чехол на режущий блок.** При правильном обращении с инструментом снижается вероятность получения травм от режущих лезвий.

3. **Держите электроинструмент только за специально предназначенные изолированные поверхности, так как при выполнении работ существует риск контакта ножа со скрытой электропроводкой.** Контакт с проводом под напряжением приведет к тому, что металлические детали ножа также будут под напряжением, что приведет к поражению оператора электрическим током.
4. Не пользуйтесь инструментом во время дождя и в условиях высокой влажности. Электромотор не защищен от влаги.
5. Если вы используете инструмент впервые, необходимо, чтобы опытный специалист показал приемы работы с ним.
6. Инструментом для обрезки не должны пользоваться дети или лица, не достигшие 18-летнего возраста. Лица старше 16 лет могут не подпадать под действие этого ограничения в случае, если они проходят обучение под надзором специалиста.
7. Используйте инструмент для обрезки только в том случае, если находитесь в хорошей физической форме. Если вы устали, ваше внимание будет ослаблено. Особую осторожность соблюдайте в конце рабочего дня. Выполняйте все работы спокойно и тщательно. Пользователь несет ответственность за ущерб, причиненный третьим лицам.
8. Не используйте инструмент, если находитесь под воздействием алкоголя, наркотиков или лекарственных средств.
9. Неотъемлемой принадлежностью инструмента для обрезки являются перчатки из толстой кожи. Во время работы обязательно надевайте их. Кроме того, обязательно обувайте прочную обувь с противоскользящими подметками.
10. Перед началом работы убедитесь, что инструмент находится в исправном состоянии. Должны быть установлены соответствующие защитные ограждения. Инструмент для обрезки можно использовать только в полностью собранном виде.
11. Перед началом работы займите устойчивое положение.
12. Во время работы крепко удерживайте инструмент.
13. Без необходимости не эксплуатируйте инструмент без нагрузки.
14. Немедленно выключите электромотор и извлеките аккумуляторный блок, если инструмент заденет ограду или другой твердый предмет. Проверьте режущий блок на предмет повреждений, если они имеются – незамедлительно устраните.
15. Перед проверкой режущего блока, устранением неисправностей или удалением застрявшего в инструменте материала обязательно выключайте инструмент и извлекайте аккумуляторный блок.
16. Перед выполнением технического обслуживания выключите инструмент и извлеките аккумуляторный блок.

17. Переноса инструмент в другое место (в том числе во время работы), обязательно извлекайте аккумуляторный блок и устанавливайте крышку на ножи. Запрещается переносить или перевозить инструмент с движущимися лезвиями. Запрещается брать руками за режущий блок.
18. После использования инструмента, а также перед длительным хранением очищайте его, особенно режущий блок. Слегка смажьте режущий блок и наденьте чехол. Чехол, поставляемый в комплекте с инструментом, можно вешать на стену. Это безопасный и удобный способ хранения инструмента.
19. Храните инструмент в чехле в сухом помещении. Берегите от детей. Запрещается хранить инструмент вне помещения.
- (2) Не храните аккумуляторный блок в контейнере вместе с другими металлическими предметами, такими как гвозди, монеты и т. п.
- (3) Не допускайте попадания на аккумуляторный блок воды или дождя.

Замыкание контактов аккумуляторного блока между собой может привести к возникновению большого тока, перегреву, возможным ожогам и даже разрыву блока.

6. Не храните инструмент и аккумуляторный блок в местах, где температура может достигать или превышать 50°C (122°F).
7. Не бросайте аккумуляторный блок в огонь, даже если он сильно поврежден или полностью вышел из строя. Аккумуляторный блок может взорваться под действием огня.
8. Не роняйте и не ударяйте аккумуляторный блок.
9. Не используйте поврежденный аккумуляторный блок.
10. Выполняйте требования местного законодательства относительно утилизации аккумуляторного блока.

СОХРАНИТЕ ДАННЫЕ ИНСТРУКЦИИ.

▲ОСТОРОЖНО: НЕ ДОПУСКАЙТЕ, чтобы удобство или опыт эксплуатации данного устройства (полученный от многократного использования) доминировали над строгим соблюдением правил техники безопасности при обращении с этим устройством. НЕПРАВИЛЬНОЕ ИСПОЛЬЗОВАНИЕ инструмента или несоблюдение правил техники безопасности, указанных в данном руководстве, может привести к тяжелой травме.

ВАЖНЫЕ ИНСТРУКЦИИ ПО ТЕХНИКЕ БЕЗОПАСНОСТИ

ДЛЯ АККУМУЛЯТОРНОГО БЛОКА

1. Перед использованием аккумуляторного блока прочитайте все инструкции и предупреждающие надписи на (1) зарядном устройстве, (2) аккумуляторном блоке и (3) инструменте, работающем от аккумуляторного блока.
2. Не разбирайте аккумуляторный блок.
3. Если время работы аккумуляторного блока значительно сократилось, немедленно прекратите работу. В противном случае, может возникнуть перегрев блока, что приведет к ожогам и даже к взрыву.
4. В случае попадания электролита в глаза, промойте их обильным количеством чистой воды и немедленно обратитесь к врачу. Это может привести к потере зрения.
5. Не замыкайте контакты аккумуляторного блока между собой:
 - (1) Не прикасайтесь к контактам какими-либо токопроводящими предметами.

СОХРАНИТЕ ДАННЫЕ ИНСТРУКЦИИ.

Советы по обеспечению максимального срока службы аккумуляторного блока

1. Заряжайте аккумуляторный блок до того, как он полностью разрядится. В случае потери мощности при эксплуатации инструмента, прекратите работу и зарядите аккумуляторный блок.
2. Никогда не заряжайте полностью заряженный аккумуляторный блок. Перезарядка сокращает срок службы блока.
3. Заряжайте аккумуляторный блок при комнатной температуре в пределах от 10°C до 40°C (от 50°F до 104°F). Перед зарядкой дайте горячему аккумуляторному блоку остыть.
4. Если инструмент не используется в течение длительного времени, заряжайте аккумуляторный блок один раз в шесть месяцев.

ОПИСАНИЕ ФУНКЦИОНИРОВАНИЯ

⚠ВНИМАНИЕ:

- Перед регулировкой или проверкой функционирования всегда отключайте инструмент и вынимайте блок аккумулятора.

Установка или снятие блока аккумулятора

- **Рис. 1:** 1. Красный индикатор 2. Кнопка 3. Блок аккумулятора

⚠ВНИМАНИЕ:

- Обязательно выключайте инструмент перед установкой и извлечением аккумуляторного блока.
- **При установке или снятии аккумуляторного блока надежно удерживайте инструмент и аккумуляторный блок.** Иначе инструмент или аккумуляторный блок могут выскользнуть из рук, что может привести к травмам или повреждению инструмента и аккумуляторного блока.

Для снятия аккумуляторного блока нажмите кнопку на лицевой стороне и извлеките блок.

Для установки аккумуляторного блока совместите выступ блока с пазом в корпусе и задвиньте его на место. Устанавливайте блок до упора так, чтобы он зафиксировался на месте с небольшим щелчком. Если вы можете видеть красный индикатор на верхней части клавиши, аккумуляторный блок не полностью установлен на месте.

⚠ВНИМАНИЕ:

- Обязательно устанавливайте аккумуляторный блок до конца, чтобы красный индикатор не был виден. В противном случае аккумуляторный блок может выпасть из инструмента и нанести травму вам или другим людям.
- Не прилагайте чрезмерных усилий при установке аккумуляторного блока. Если блок не двигается свободно, значит он вставлен неправильно.

ПРИМЕЧАНИЕ:

- Инструмент не будет работать с одним аккумуляторным блоком.

Система защиты инструмента/аккумулятора

На инструменте предусмотрена система защиты инструмента/аккумулятора. Она автоматически отключает питание двигателя для продления срока службы инструмента и аккумулятора. Инструмент автоматически остановится во время работы при возникновении указанных ниже ситуаций. В некоторых ситуациях загораются индикаторы.

Защита от перегрузки

Если из-за способа эксплуатации инструмент потребляет очень большое количество тока, он автоматически выключится без включения каких-либо индикаторов. В этом случае выключите инструмент и прекратите использование, повлекшее перегрузку инструмента. Затем включите инструмент для перезапуска.

Защита инструмента/аккумулятора от перегрева

В случае перегрева инструмента/аккумулятора инструмент автоматически выключается без включения каких-либо индикаторов. Инструмент не включается даже после нажатия на курковый выключатель. В этом случае дайте инструменту/аккумулятору остыть перед повторным включением.

ПРИМЕЧАНИЕ: Защита аккумулятора от перегрева работает только на аккумуляторных блоках со звездочкой.

- **Рис. 2:** 1. Звездочка

Защита от переразрядки

- **Рис. 3:** 1. Индикатор аккумулятора

Если оставшийся заряд аккумулятора слишком низкий, с соответствующей стороны аккумулятора начинает мигать индикатор аккумулятора. При дальнейшем использовании инструмент выключается, а индикатор аккумулятора горит в течение примерно 10 секунд. В этом случае зарядите аккумуляторный блок.

Положения установки рукоятки

⚠ВНИМАНИЕ:

- Перед эксплуатацией всегда проверяйте, что рукоятка зафиксирована в желаемом положении.

- **Рис. 4:** 1. Круглая ручка 2. Корпус

В зависимости от вида работ можно установить угол наклона рукоятки на значение 45° или 90° влево или вправо. Чтобы повернуть рукоятку, потяните ручку и поверните рукоятку, как показано на рисунке. Рукоятка будет зафиксирована под углом 45°. Чтобы перевести рукоятку в положение 90°, снова потяните ручку и сильнее поверните рукоятку.

Действие выключателя

⚠ВНИМАНИЕ:

- Перед вставкой блока аккумуляторов в инструмент, всегда проверяйте, что триггерный переключатель работает надлежащим образом и возвращается в положение "ВЫКЛ", если его отпустить.

- **Рис. 5:** 1. Курковый выключатель В
2. Курковый выключатель А 3. Кнопка разблокирования

В целях безопасности инструмент оснащен двойной системой включения. Для того чтобы начать пользоваться инструментом, нажмите кнопку разблокировки, а затем - курковый выключатель А и В. Для выключения отпустите один из курковых выключателей. Инструмент включается только после нажатия на оба курковых выключателя.

Изменение скорости

► Рис.6: 1. Регулировочный диск

Количество движений, совершаемых в минуту, можно настроить, вращая диск регулировки. Это можно проделать даже во время работы инструмента. На диск нанесена маркировка с цифрами от 1 (наименьшая скорость) до 6 (наибольшая скорость). Ниже в таблице приведено отношение между цифрами на диске регулировки и количеством движений в минуту.

Число на регулировочном диске	Ходов в минуту (мин ⁻¹)
6	1 800
5	1 750
4	1 650
3	1 500
2	1 300
1	1 000

⚠ВНИМАНИЕ:

- Диск регулировки скорости можно поворачивать только до цифры 6 и обратно до 1. Не пытайтесь повернуть его дальше 6 или 1, так как функция регулировки скорости может выйти из строя.
- Количество движений, совершаемых в минуту, может отличаться в зависимости от состояния лезвий и аккумуляторного блока.

ЭКСПЛУАТАЦИЯ

⚠ВНИМАНИЕ:

- Соблюдайте осторожность, чтобы во время работы случайно не задеть металлическую ограду или другие твердые предметы. Лезвие может сломаться и нанести тяжелую травму.
- Не пытайтесь дотянуться инструментом до отдаленных веток, особенно с лестницы. Это очень опасно. Во время работы не стойте на шатких или неустойчивых предметах.

ПРИМЕЧАНИЕ: Не пытайтесь с помощью этого инструмента резать ветки толще 10 мм в диаметре. Перед использованием данного инструмента с помощью веткорезов обрежьте ветки до высоты на 10 см ниже, чем высота срезания.

► Рис.7: (1) Высота срезания (2) 10 см

⚠ВНИМАНИЕ:

- Не отрезайте сухие деревья или аналогичные твердые объекты. В противном случае можно повредить инструмент.

► Рис.8

Удерживая инструмент двумя руками, нажмите на курковые выключатели А и В, затем перемещайте инструмент перед собой.

► Рис.9: 1. Направление тримминга 2. Поверхность изгороди 3. Наклоните лезвия.

Основной способ работы заключается в следующем: наклоните лезвия в направлении резания и спокойно и медленно перемещайте в направлении резания со скоростью 3 - 4 секунды на метр.

► Рис.10

Чтобы обрезать живую изгородь ровно, можно натянуть трос ну нужной высоте и выполнять обрезку вдоль него, используя его в качестве ориентира.

► Рис.11

Чтобы предотвратить разбрасывание обрезанной листвы, на инструмент можно прикрепить мусоросборник (дополнительная принадлежность).

► Рис.12

Перед выполнением работ поверните рукоятку в удобное для Вас положение. См. раздел "Положения установки рукоятки".

Чтобы ровно обрезать боковину живой изгороди, рекомендуется резать снизу вверх.

► Рис.13

Чтобы создать привлекательную высококачественную изгородь, обрезать самшит или рододендроны следует снизу вверх.

Установка и снятие мусоросборника (дополнительная принадлежность)

⚠ВНИМАНИЕ:

- Перед установкой или снятием мусоросборника выключите инструмент и извлеките блок аккумуляторной батареи.

ПРИМЕЧАНИЕ:

- При замене мусоросборника обязательно надевайте перчатки; не касайтесь лезвия руками и лицом. Это может привести к тяжелой травме.
- Перед установкой мусоросборника обязательно снимайте крышку диска.
- В мусоросборник попадают срезанные листья, он облегчает сбор отбрасываемых листьев. Он может быть установлен с любой стороны инструмента.

► Рис.14: 1. Нажмите 2. Мусоропровод 3. Гайка 4. Лезвие

Нажмите на мусоросборник, изображенный на лезвиях, чтобы его прорезь накладывалась на прорези. При этом убедитесь, что мусоросборник не касается улавливателя ветвей в верхней части лезвий.

► Рис.15: 1. Гайка 2. Улавливатель ветвей

Мусоросборник должен быть установлен так, чтобы его выступы были совмещены с углублениями на блоке лезвий.

- **Рис.16:** 1. Крюки 2. Вставьте крюки в канавку 3. Пазы

Для снятия мусоросборника нажмите на его рычаг с обеих сторон, чтобы разомкнуть фиксаторы.

- **Рис.17:** 1. Нажмите на рычаги с обеих сторон 2. Разблокируйте крюки

ВНИМАНИЕ:

- При установке мусоросборника чехол лезвий установить чехол на инструмент невозможно. Перед переноской или хранением снимайте мусоросборник и устанавливайте чехол на лезвия.

ПРИМЕЧАНИЕ:

- Перед использованием мусоросборника проверьте его работоспособность.
- Не снимайте мусоросборник, применяя излишнюю силу, если выступы вошли в зацепление с канавками на блоке лезвий. Применение излишней силы может привести к его повреждению.

ТЕХОБСЛУЖИВАНИЕ

ВНИМАНИЕ:

- Перед проведением проверки или работ по техобслуживанию, всегда проверяйте, что инструмент выключен, а блок аккумуляторов вынут.
- Запрещается использовать бензин, лигроин, растворитель, спирт и т.п. Это может привести к изменению цвета, деформации и появлению трещин.

Чистка инструмента

Очищайте инструмент, стирая пыль сухой или смоченной в мыльном растворе салфеткой.

Техобслуживание лезвий

Смазывайте лезвие машинным маслом (или аналогичным веществом) перед началом работы и через час эксплуатации.

ПРИМЕЧАНИЕ:

- Прежде чем проводить смазку лезвий, необходимо снять мусоросборник.

После работы удалите пыль с обеих сторон лезвия проволочной щеткой, протрите его салфеткой и щедро нанесите достаточное количество машинного масла низкой вязкости, а также смазочное масло в виде спрея.

ВНИМАНИЕ:

- Не промывайте лезвия водой. В противном случае возможно появление на инструменте ржавчины или повреждений.

Снятие и установка лезвий

ВНИМАНИЕ:

- Перед снятием или установкой лезвий обязательно проверяйте, что инструмент выключен, а аккумуляторный блок снят.
- При замене лезвий обязательно надевайте перчатки (не снимая чехла лезвия), чтобы не прикасаться руками и лицом непосредственно к лезвию. Это может привести к тяжелой травме.

ПРИМЕЧАНИЕ:

- Не удаляйте смазку с шестерен и кривошипов. В противном случае можно повредить инструмент.
- Особые способы снятия и установки лезвий см. на обороте упаковки с дополнительными лезвиями.

Снятие лезвий

Разверните инструмент и ослабьте четыре винта.

- **Рис.18:** 1. Кожух дезвиза 2. Винты

ПРИМЕЧАНИЕ:

- Соблюдайте осторожность, чтобы не испачкаться в масле в области привода лезвий.

Снимите нижнюю крышку.

- **Рис.19:** 1. Нижняя крышка 2. Кожух дезвиза 3. Винты

Снимите пластину.

- **Рис.20:** 1. Пластина

С помощью шлицевой отвертки установите рукоятку под указанным углом как показано на рисунке.

- **Рис.21:** 1. Рукоятка

Извлеките два винта из лезвий, после этого можно снять блок лезвий.

- **Рис.22:** 1. Винты 2. Лезвие

ВНИМАНИЕ:

- Если шестерня будет снята по ошибке, установите ее в исходное положение.

Установка лезвий

Подготовьте 4 ранее снятых винта (для нижней крышки), 2 винта (для лезвий), пластину, нижнюю крышку и новые лезвия.

Отрегулируйте положение рукоятки как показано на рисунке. Нанесите небольшое количество консистентной смазки из комплекта поставки новых лезвий по периметру рукоятки.

- **Рис.23:** 1. Рукоятка

Наложите овальное отверстие в верхнем лезвии с таким же отверстием в нижней части.

- **Рис.24:** 1. Овальное отверстие в лезвии

Снимите чехол со старых лезвий и установите на новые для повышения удобства при замене.

- **Рис.25**

Установите новые лезвия на инструмент, чтобы овальные отверстия в лезвиях совпали с рукояткой. Наложите отверстия в лезвиях на отверстия винтов в инструменте, затем закрепите двумя винтами.

- **Рис.26:** 1. Овальное отверстие в лезвии
2. Рукоятка 3. Винты

С помощью специальной шлицевой отвертки проверьте свободу вращения рукоятки.

- **Рис.27:** 1. Рукоятка

Установите пластину и нижнюю крышку на инструмент. Надежно затяните винт.

ПРИМЕЧАНИЕ:

- Верхняя и нижняя стороны пластины не имеют отличий.

Снимите чехол лезвия и включите инструмент, чтобы проверить его в движении.

ПРИМЕЧАНИЕ:

- Если лезвия не вращаются надлежащим образом, это свидетельствует о неправильной подгонке лезвий и рукоятки. Повторите процедуру с начала.

Замена угольных щеток

- **Рис.28:** 1. Ограничительная метка

Регулярно вынимайте и проверяйте угольные щетки. Заменяйте их, если они изношены до ограничительной отметки. Содержите угольные щетки в чистоте и в свободном для скольжения в держателях положении. При замене необходимо менять обе угольные щетки одновременно. Используйте только одинаковые угольные щетки.

- **Рис.29:** 1. Крышка держателя 2. Шлицевая отвертка

Вставьте жало шлицевой отвертки в паз инструмента и снимите крышку держателя, приподняв ее вверх.

- **Рис.30:** 1. Колпачок держателя щетки
2. Шлицевая отвертка

Для снятия колпачков держателей щеток используйте шлицевую отвертку. Извлеките изношенные угольные щетки, установите новые и зафиксируйте их при помощи колпачков держателей щеток. Установите крышку держателя обратно на инструмент.

Хранение

Отверстие для фиксатора в нижней части чехла лезвий можно использовать для подвески инструмента на стену.

- **Рис.31**

Снимите аккумуляторный блок и наденьте чехол на лезвия, чтобы они не подвергались внешним воздействиям. Храните инструмент в недоступном для детей месте.

Храните инструмент в местах, не подверженных воздействию воды и дождя.

Для обеспечения БЕЗОПАСНОСТИ и НАДЕЖНОСТИ оборудования, ремонт, любое другое техобслуживание или регулировку необходимо производить в уполномоченных сервис-центрах Makita, с использованием только сменных частей производства Makita.

ДОПОЛНИТЕЛЬНЫЕ ПРИНАДЛЕЖНОСТИ

ВНИМАНИЕ:

- Эти принадлежности или насадки рекомендуется использовать вместе с вашим инструментом Makita, описанным в данном руководстве. Использование каких-либо других принадлежностей или насадок может представлять опасность получения травм. Используйте принадлежность или насадку только по указанному назначению.

Если вам необходимо содействие в получении дополнительной информации по этим принадлежностям, свяжитесь со своим местным сервис-центром Makita.

- Крышка лезвий
- Блок ножевых лезвий
- Оригинальный аккумулятор и зарядное устройство Makita
- Мусоросборник

ПРИМЕЧАНИЕ:

- Некоторые элементы списка могут входить в комплект инструмента в качестве стандартных приспособлений. Они могут отличаться в зависимости от страны.

Makita Corporation

3-11-8, Sumiyoshi-cho,
Anjo, Aichi 446-8502 Japan

www.makita.com

885336A981 EN, SV, NO, FI, LV, LT, ET, RU 20170913
