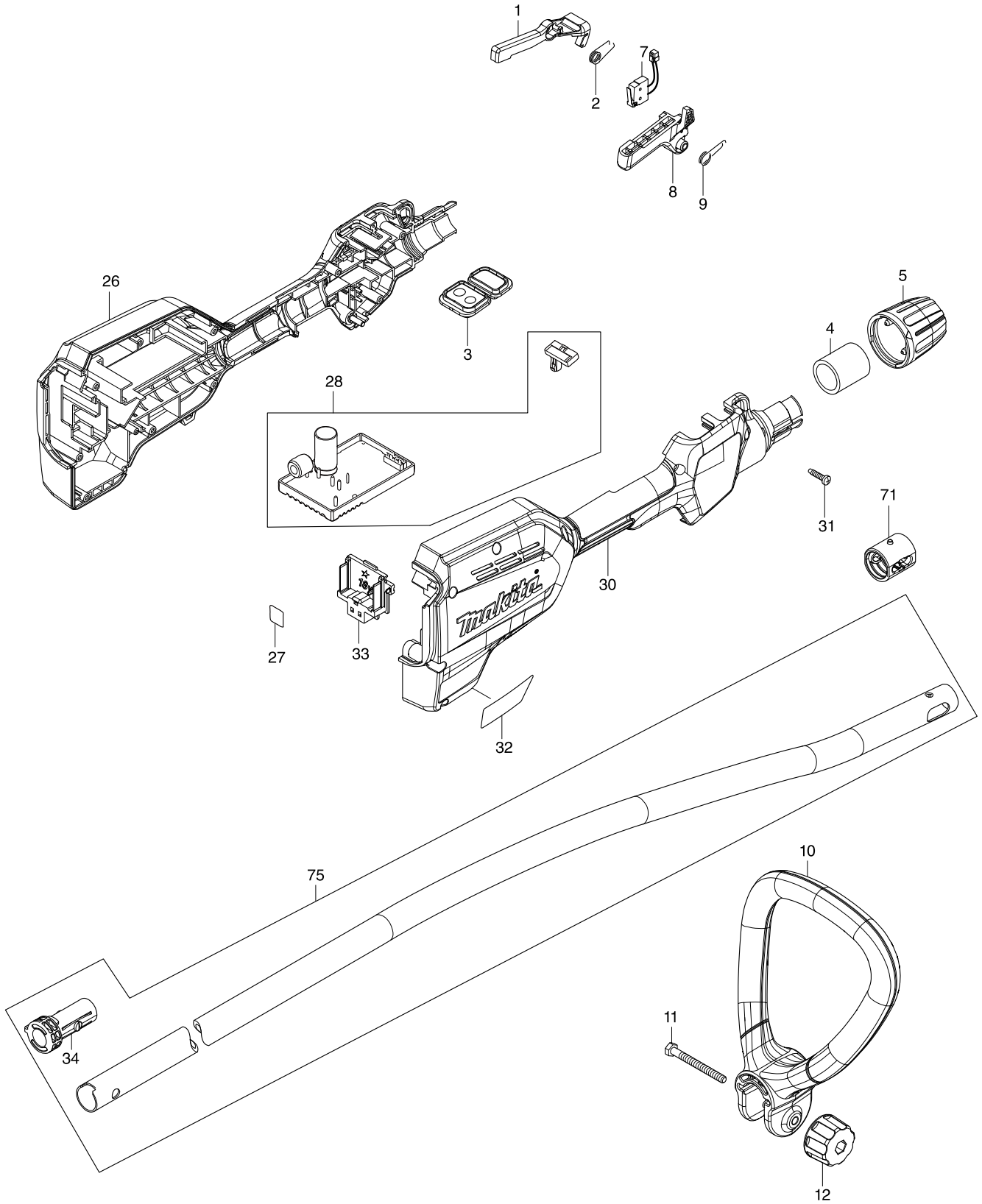
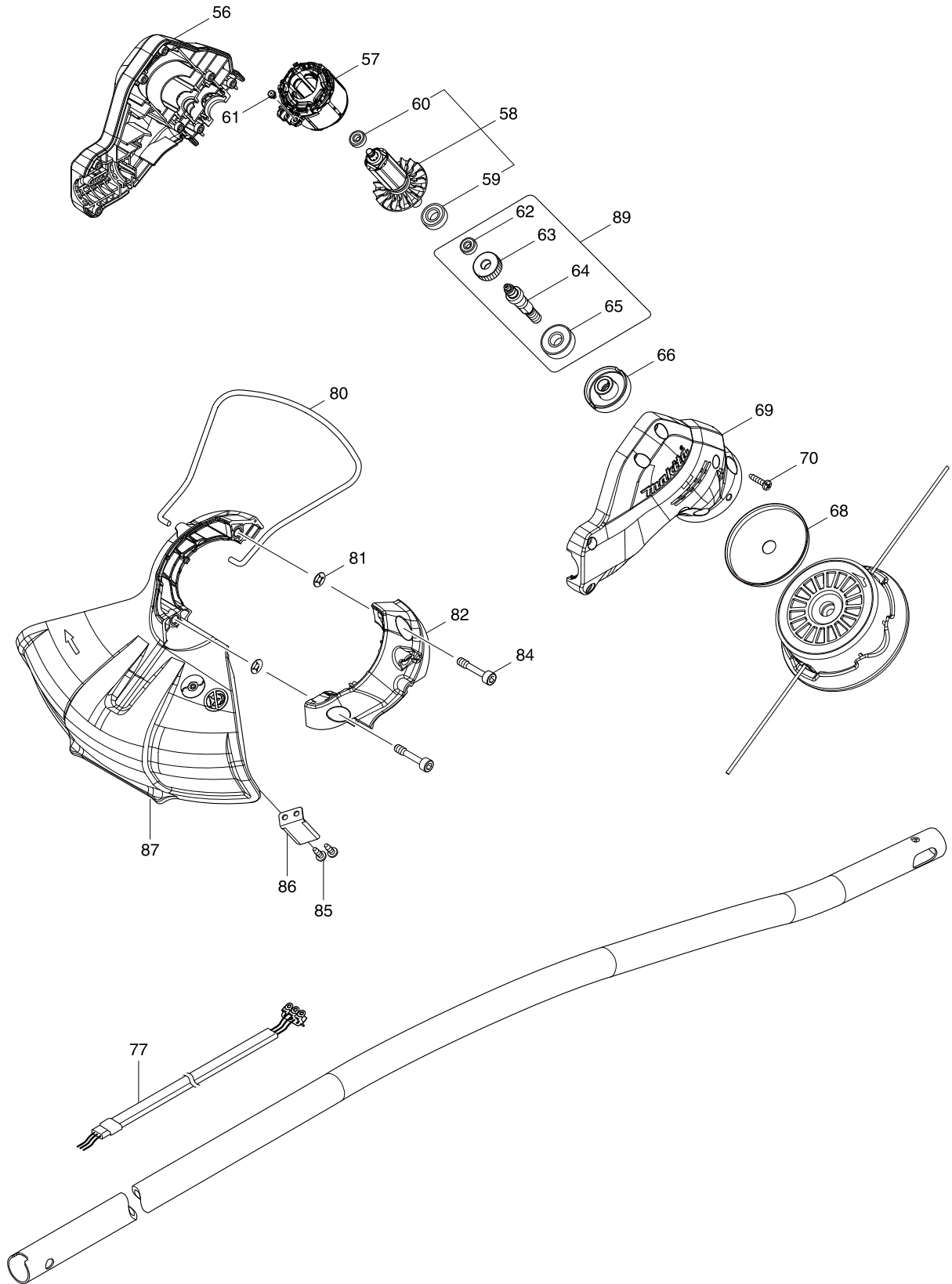


Model No. DUR189 CORDLESS GRASS TRIMMER



Model No. DUR189 CORDLESS GRASS TRIMMER



Model No. DUR189 CORDLESS GRASS TRIMMER

Item	Parts No.	Description	I/C	Qty	N/O	Opt. 1	Opt. 2	Note
001	456671-5	LOCK OFF LEVER		1				
002	233621-5	TORSION SPRING 9		1				
003	140B61-1	SUB CONTROLLER COMPLETE		1				
C10	816X50-7	SWITCH LABEL		1				
C20	816X51-5	INDICATION LABEL		1				
004	456647-2	RUBBER SLEEVE 24 A		1				
005	453344-1	LOCK SLEEVE		1				
007	632E26-0	SWITCH UNIT		1				
008	456670-7	SWITCH LEVER		1				
009	233612-6	TORSION SPRING 10		1				
010	456423-4	LOOP HANDLE 24		1				
011	921382-6	HEX. BOLT M6X60		1				
012	264072-1	THUMB NUT M6		1				
026	183E59-3	GRIP HOUSING SET		1				
C10	263005-3	RUBBER PIN 6		2				
D10		INC. 30						
027	854K68-2	DUR189 SERIAL NO. LABEL		1				
028	620910-1	CONTROLLER		1				
030	183E59-3	GRIP HOUSING SET		1				
C10	263005-3	RUBBER PIN 6		2				
D10		INC. 26						
031	266326-2	TAPPING SCREW 4X18		10				
032	854K62-4	DUR189 NAME PLATE		1				
033	644808-8	TERMINAL		1				
034	456648-0	PIPE CAP		1				
056	183F18-3	MOTOR HOUSING SET		1				
D10		INC. 69						
057	629248-1	STATOR		1				
058	519429-4	ROTOR ASS'Y		1				
D10		INC. 59,60						
059	210049-4	BALL BEARING 609ZZ		1				
060	211157-4	BALL BEARING 695ZZ		1				
061	652069-6	FLAT HEAD SCREW M3X6		3				
062	211157-4	BALL BEARING 695ZZ		1				
063	221492-2	HELICAL GEAR 26		1				
064	327132-1	CUTTER SHAFT		1				
065	210059-1	BALL BEARING 6000DDW		1				
066	144512-4	RECEIVE WASHER COMPLETE		1				
C10	213055-8	O RING 10		1				
068	346857-8	GUARD		1				
069	183F18-3	MOTOR HOUSING SET		1				
D10		INC. 56						
070	266326-2	TAPPING SCREW 4X18		8				
071	424567-8	RUBBER SLEEVE 24		1				
075	135955-1	PIPE ASS'Y		1				
C10	816X52-3	CAUTION LABEL		1				
D10		INC. 34						
077	699114-6	POWER SUPPLY CORD UNIT		1				

