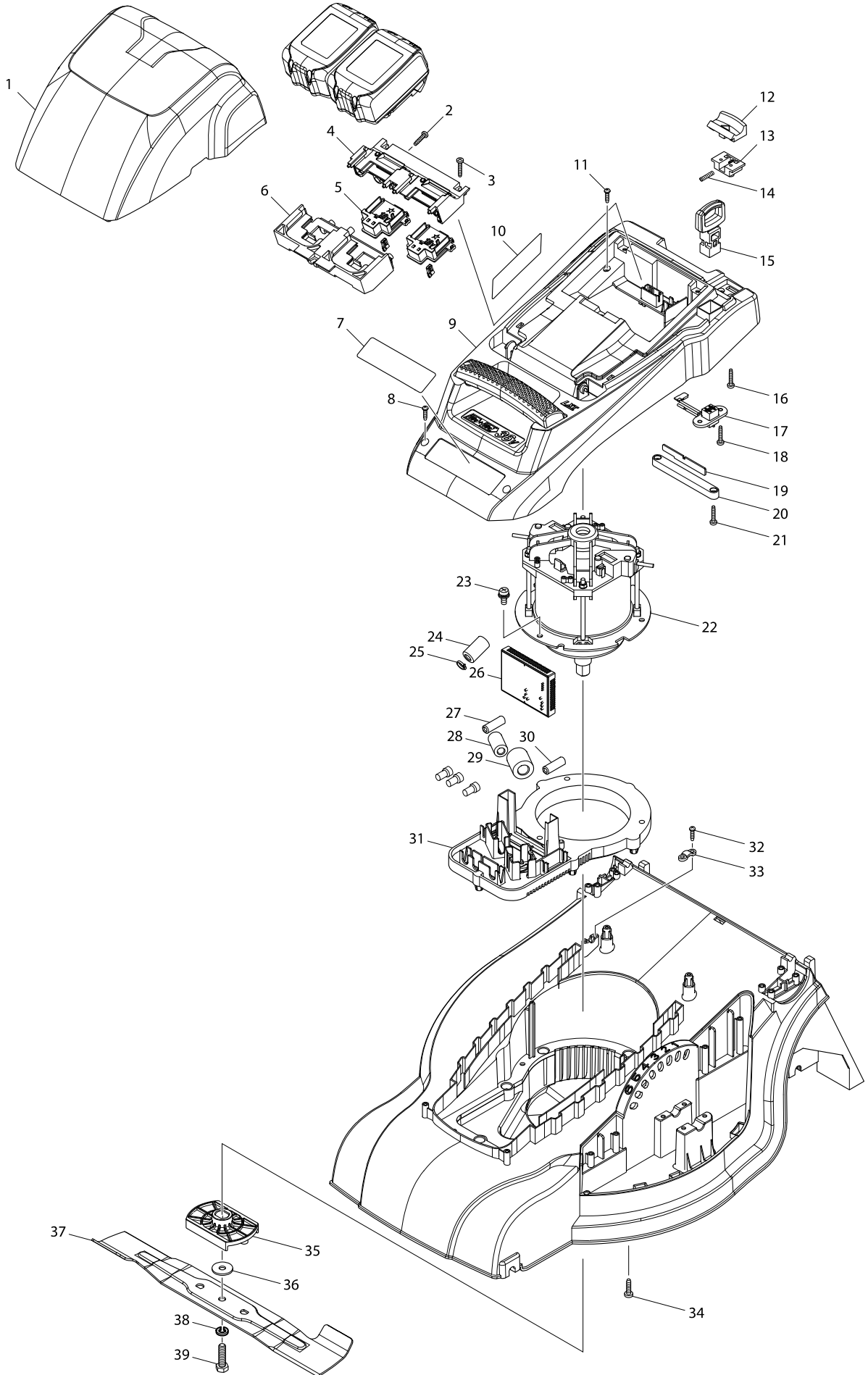
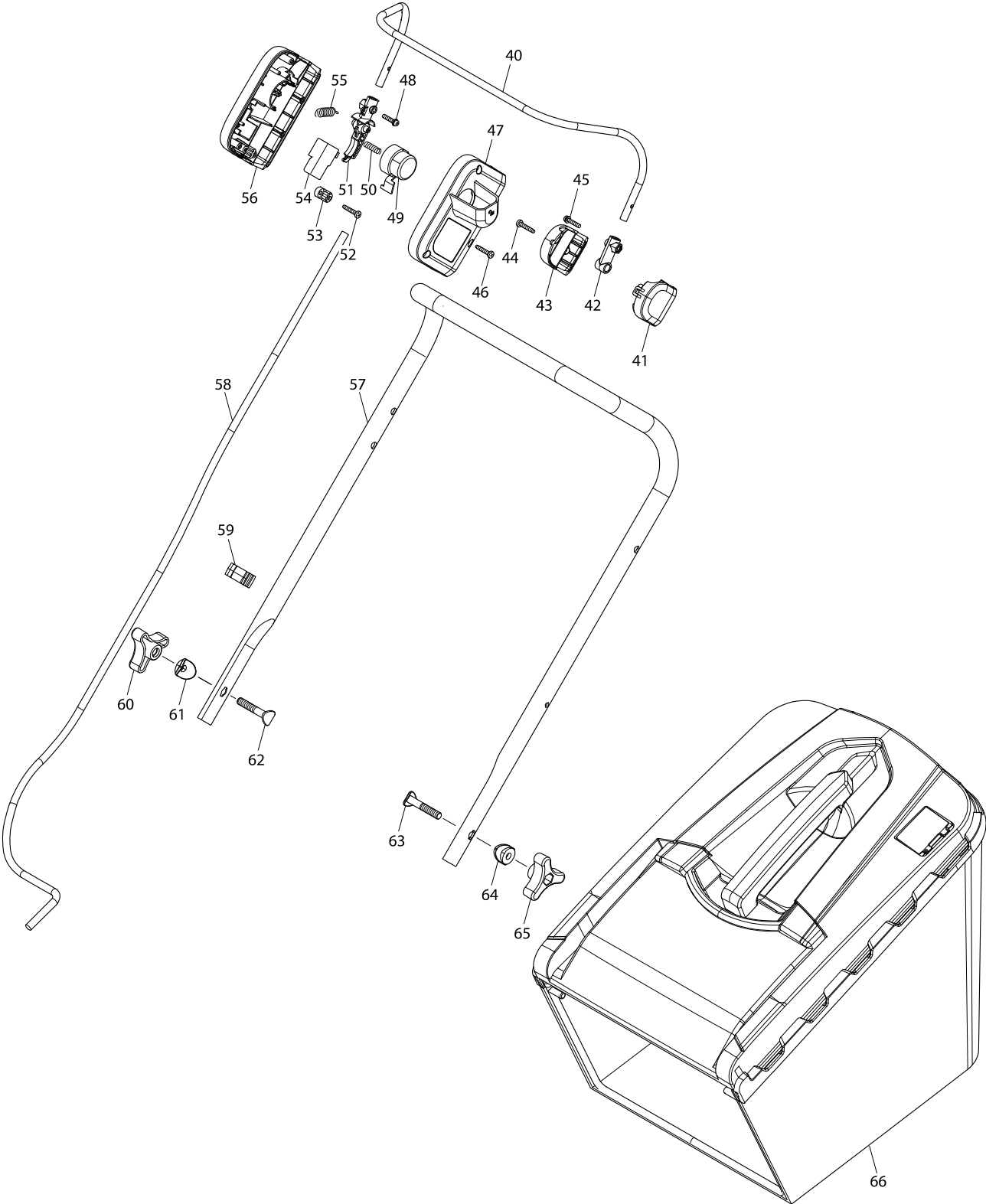


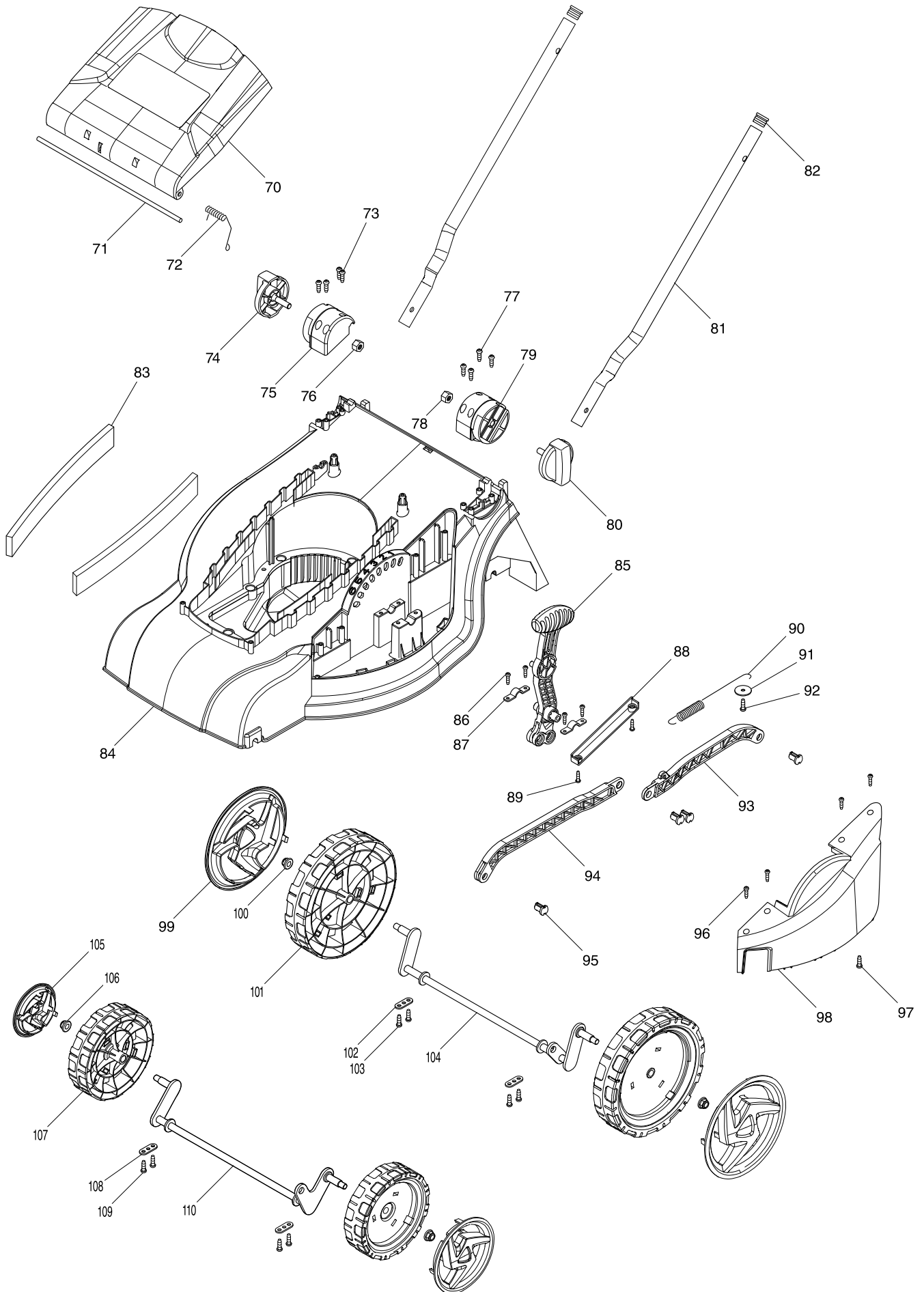
# Model No. DLM380 380MM CORDLESS LAWN MOWER



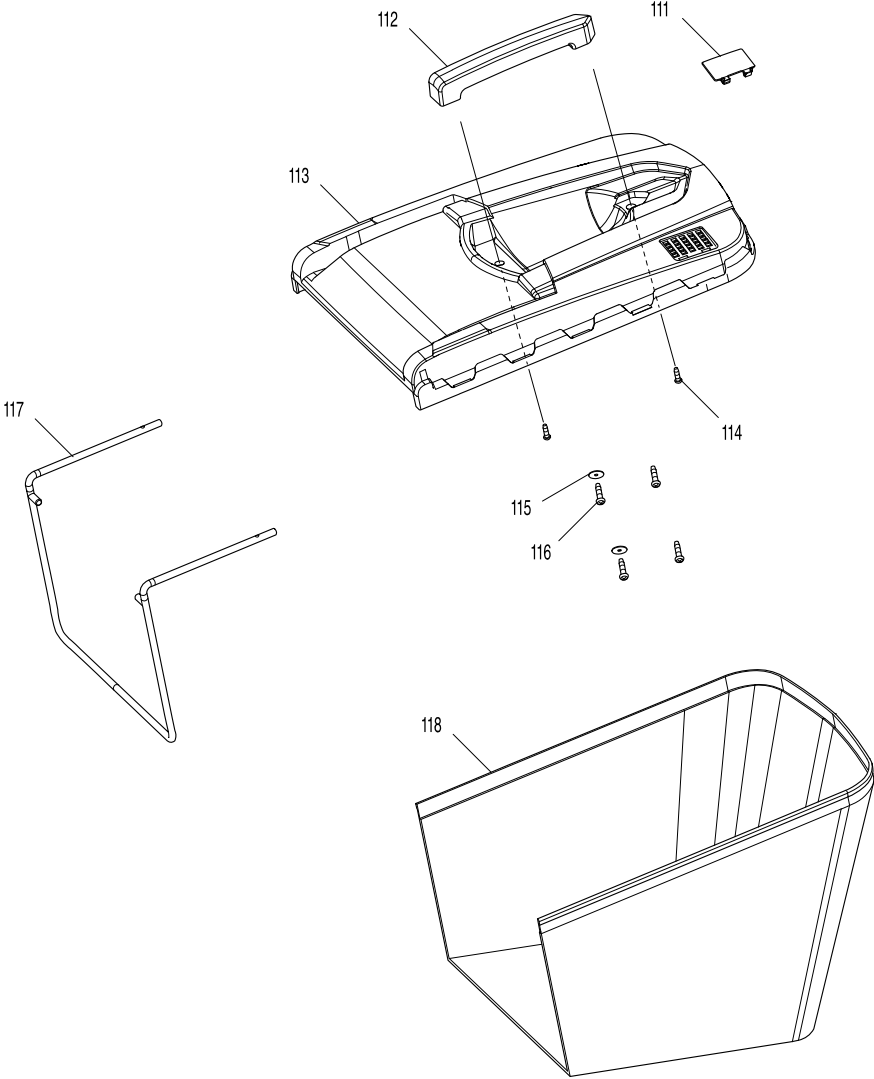
**Model No. DLM380 380MM CORDLESS LAWN MOWER**



# Model No. DLM380 380MM CORDLESS LAWN MOWER



Model No. DLM380 380MM CORDLESS LAWN MOWER



# Model No. DLM380 380MM CORDLESS LAWN MOWER

Item	Parts No.	Description	I/C	Qty	N/O	Opt. 1	Opt. 2	Note
001	142585-1	BATTERY COVER COMPLETE E		1				
C10	263005-3	RUBBER PIN 6		1				
C20	890380-0	CAUTION LABEL		1				
002	266424-2	TAPPING SCREW 4X20		3				
003	266424-2	TAPPING SCREW 4X20		3				
004	187926-4	TERMINAL HOUSING SET		1				
C10	263005-3	RUBBER PIN 6		4				
D10		INC. 6						
005	644808-8	TERMINAL		2				
006	187926-4	TERMINAL HOUSING SET		1				
C10	263005-3	RUBBER PIN 6		4				
D10		INC. 4						
007	803J08-1	MAKITA LOGO LABEL		1				
008	266890-3	TAPPING SCREW 4X16		2				
009	142591-6	COWLING COMPLETE		1				
010	815M03-7	DLM380 NAME PLATE		1				
011	266890-3	TAPPING SCREW 4X16		2				
012	453250-0	LOCK LEVER		1				
013	453251-8	LOCK LEVER SUPPORT		1				
014	233173-6	COMPRESSION SPRING 4		1				
015	643890-4	KEY		1				
016	266424-2	TAPPING SCREW 4X20		2				
017	638946-6	LEAD UNIT		1				
018	266424-2	TAPPING SCREW 4X20		2				
019	620278-5	LED CIRCUIT		1				
020	455070-8	LED COVER		1				
021	266424-2	TAPPING SCREW 4X20		2				
022	629118-4	DC MOTOR		1				
023	266892-9	+ PAN HEAD SCREW M6X16 WITH WR		3				
024	688162-0	LINE FILTER		1				
025	687010-0	BAND		1				
026	620277-7	CONTROLLER		1				
027	688165-4	LINE FILTER		1				
028	688162-0	LINE FILTER		1				
029	688140-0	LINE FILTER		1				
030	688165-4	LINE FILTER		1				
031	455064-3	MOTOR BRACKET		1				
032	266890-3	TAPPING SCREW 4X16		2				
033	687A88-9	CORD CLAMP		1				
034	266420-0	TAPPING SCREW 5X20		6				
035	455130-6	BLADE SUPPORT		1				
036	253852-0	FLAT WASHER 8		1				
037	196863-1	BLADE 380 SET		1				
038	942201-3	SPRING WASHER 8		1				
039	266889-8	HEX BOLT M8X30		1				
040	332106-9	SWITCH LEVER		1				
041	455076-6	SWITCH LEVER CASE		1				
042	455078-2	ARM		1				

# Model No. DLM380 380MM CORDLESS LAWN MOWER

Item	Parts No.	Description	I/C	Qty	N/O	Opt. 1	Opt. 2	Note
043	455077-4	SWITCH LEVER CASE COVER		1				
044	266424-2	TAPPING SCREW 4X20		1				
045	911138-5	PAN HEAD SCREW M4X20		1				
046	266424-2	TAPPING SCREW 4X20		4				
047	455073-2	SWITCH BOX COVER		1				
048	911138-5	PAN HEAD SCREW M4X20		1				
049	455074-0	SWITCH BUTTON		1				
050	233068-3	COMPRESSION SPRING 6		1				
051	455075-8	LEVER		1				
052	266424-2	TAPPING SCREW 4X20		2				
053	687124-5	STRAIN RELIEF		1				
054	650730-9	SWITCH TG72BD-6		1				
055	231876-6	TENSION SPRING 9		1				
056	455072-4	SWITCH BOX		1				
057	332109-3	UPPER HANDLE		1				
058	660480-8	POWER SUPPLY CORD #16-3-0.95		1				
059	455071-6	CORD HOLDER		1				
060	252657-5	THUMB NUT M8		1				
061	455131-4	CURL WASHER 8		1				
062	266893-7	FLAT HEAD BOLT M8X45		1				
063	266893-7	FLAT HEAD BOLT M8X45		1				
064	455131-4	CURL WASHER 8		1				
065	252657-5	THUMB NUT M8		1				
066	126429-3	GRASS CATCHER ASSEMBLY M		1				
070	DA00000348	REAR COVER ASSEMBLY		1				
071	DA00000332	AXIS		1				
072	DA00000352	SPRING		1				
073	DA00000326	SELF DRIVING SCREW 5X16		4				
074	DA00000327	THUMB SCREW M8		1				
075	DA00000350	RIGHT FIXING BOARD OF HANDLE		1				
076	DA00000343	HEXAGON NUT		1				
077	DA00000326	SELF DRIVING SCREW 5X16		4				
078	DA00000343	HEXAGON NUT		1				
079	DA00000344	LEFT FIXING BOARD OF HANDLE		1				
080	DA00000327	THUMB SCREW M8		1				
081	DA00000345	LOWER HANDLE BAR		2				
082	DA00000346	PIPE PLUG		2				
083	DA00000354	WATER PROOF STRIP		2				
084	DA00000334	DECK		1				
085	DA00000339	HEIGHT ADJUSTMENT HANDLE		1				
086	266890-3	TAPPING SCREW 4X16		4				
087	DA00000338	HANDLE OF PRESSING BOARD		2				
088	DA00000337	GRASS-PROOF STRAP		1				
089	266890-3	TAPPING SCREW 4X16		2				
090	DA00000353	SPRING OF CONNECTING ROD		1				
091	DA00000347	WASHER		1				
092	DA00000326	SELF DRIVING SCREW 5X16		1				
093	DA00000341	HEIGHT ADJUSTMENT POLE 2		1				

